

# B A L A N C E

## Instructions for use

Komfort Activ Fizjo 2 segment folding massage table



**Importer:**

ACTIVESHOP Sp. z o.o.  
Ul. Graniczna 8b, bud.  
DC2A 54-610 Wrocław,  
Poland

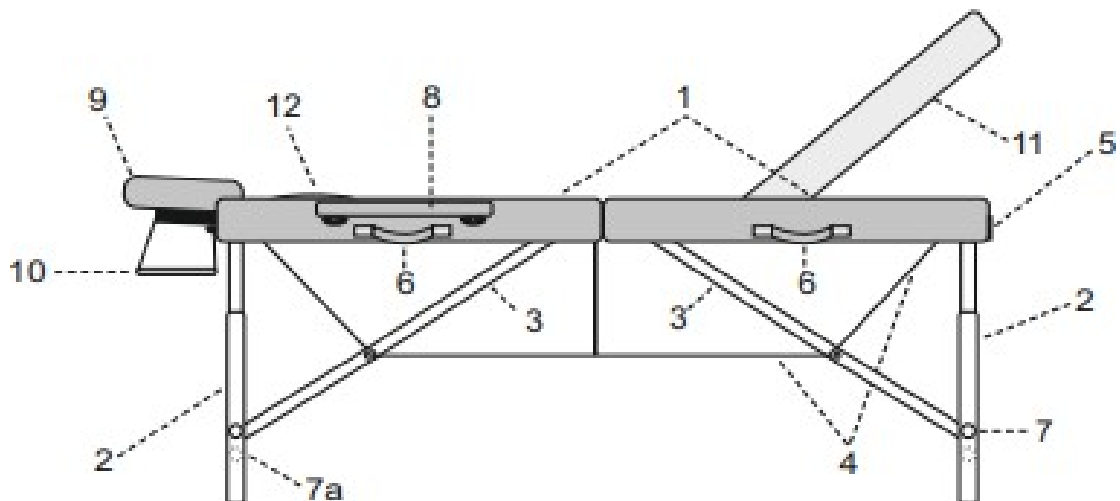
[www.activeshop.com.pl](http://www.activeshop.com.pl)

Rev. A/09/2025



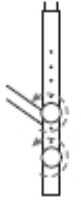
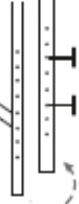


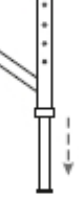

Scan for  
different  
languages

## Construction



- |                                 |  |
|---------------------------------|--|
| 1. Tabletop                     | 8. Armrests                                |
| 2. Outside legs                 | 9. Headrest                                |
| 3. Outer leg struts             | 10. Shoulder shelf                         |
| 4. Cable tension (cable system) | 11. Lifting top (only in 3 segment tables) |
| 5. Case lock                    | 12. Face cutout stopper                    |
| 6. Transport handles            |  |
| 7. Nuts                         |  |
| 7a. Additional nut              |  |

## Height adjustment:

1	2	3	Stoły	Opis czynności
			Wooden	1. Unscrew the nuts. 2. Remove the movable leg from the mounting screws, reposition the movable leg moving leg to the desired position.
			Aluminum	3. Tighten the nuts. 1. Push in the locking pin. 2. Move the movable leg to the desired position.

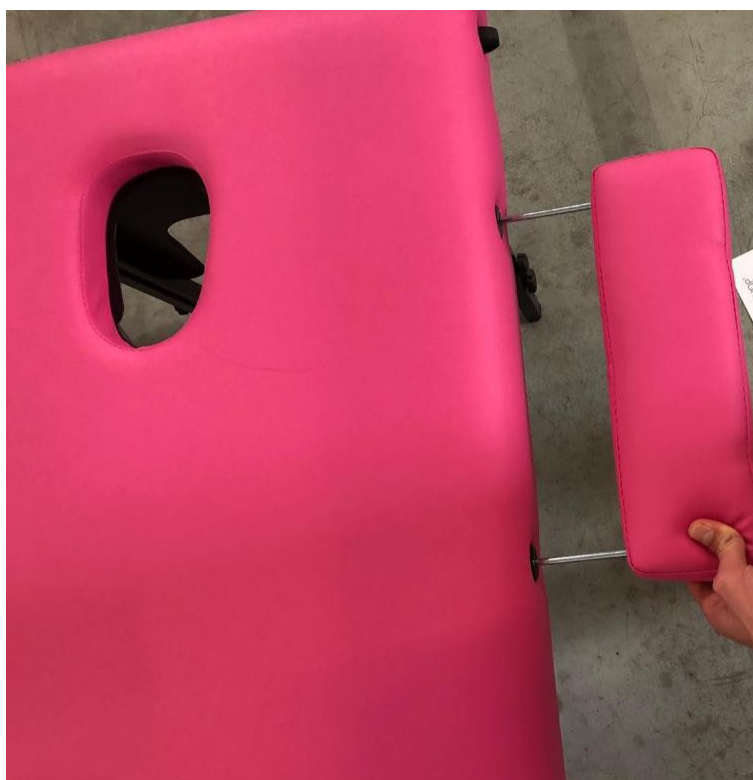
3. Fit the hole to the bolt

**Assembly:**

1. Open the table and remove all accessories from it.



2. Slide in the armrests.



3. Glue the cushion to the headrest with Velcro.



4. Slide the headrest into the holes as shown, then use the latch to lock it in the desired position.



Snap

**Attention.**

Before positioning the patient, make sure the outer legs are properly spaced and the cables are in good working condition and properly tensioned.

**Cleaning and maintenance:**

Clean surfaces made of wood or plywood with a soft, slightly damp cloth and then dry thoroughly. Do not use any chemicals.

**Caution!**

Wood as a natural material may be characterized by differences in grain pattern, color shades and the presence of natural elements such as streaks or dots. They are not a defect of the product - on the contrary, they testify to its authenticity and natural origin. Such features do not constitute grounds for complaint.

**Attention!**

1. The table is intended for indoor use.
2. It is forbidden to change the position of the table if it is under load.
3. It is forbidden to jump violently on the table.
4. The table may be transported folded with the lock secured.
5. It is forbidden to sit, kneel or lean on the bolster, shelves and armrests
6. When folding the table, pay attention to the alignment of the cables. Do not snap the cords.
7. The table should be used and stored away from direct sources of fire and heat.
8. Damage caused by failure to comply with the above is not grounds for complaint.

**SAFETY MEASURES**

1. The device is a professional equipment for use in cosmetic surgeries. Operation of the device only by qualified cosmetic personnel allows you to avoid undesirable consequences during treatment.
2. Do not disassemble the device or attempt to use it for purposes other than those indicated in this manual. All servicing and repairs must be performed only by an authorized service technician (ACTIVESHOP Ltd. company).
3. Do not install or operate the device near liquids, wet places or with wet hands - so that no liquids get into the device.
4. Immediately remove the plug from the outlet and contact the authorized service provided by ACTIVESHOP Ltd. in the following cases: a) liquid has gotten into the device, b) the device emits a strange smell, smoke or makes strange sounds, c) the power cord has been damaged, d) the device has been knocked over or its housing has been damaged.
5. Do not lay any objects on the cables. Do not install the device where someone may step on the power cord.
6. For safety purposes, unplug the power cord from the outlet each time you finish working with the device.
7. Do not insert anything into the opening of the device. If a foreign object gets into the hole, remove the cord from the outlet and contact the distributor or manufacturer.
8. Do not place the device on an unstable cart, shelf or vehicle. If dropped, the device may be damaged.
9. In order to guarantee the established useful life of the device, it is recommended to keep an interval of one minute before pressing the power button again (between switching on and off and vice versa).
10. The power supply must comply with the specifications on the nameplate. Otherwise, there is a risk of incorrect operation of the device its damage and even burning.

**CAUTION:**

1. In case of damage to the power cord or other malfunctions, contact an authorized service center - this will avoid danger.
2. This equipment may be used by children at least 8 years of age and by persons of diminished physical and mental capabilities and persons with inexperience and lack of familiarity with the equipment, if supervision or instruction on how to use the equipment in a safe manner is provided so that the associated risks are understood.
3. The equipment is not intended for play by children. Do not allow children to play with the equipment.
4. Do not leave the appliance unattended when children or persons without sufficient knowledge of the use of the appliance are in the vicinity.
5. This electrical appliance is not a toy. Improper use or contact with the electrical appliance may pose a health risk or lead to death, so use and store the appliance out of the reach of children.

**DISPOSAL OF THE DEVICE**

Dispose of used electrical appliances, fixtures and packaging to raw material reprocessing centers in accordance with environmental protection principles. Electrical appliances should not be disposed of in household waste containers. Follow the rules for discarding this type of equipment. In order to protect the environment in accordance with Directive 2012/19/EC concerning waste electrical and electronic equipment

Waste electrical and electronic equipment should be collected separately, and then handed over to collection points for waste electronic and electrical equipment.

At the end of their useful life, and old appliances contain full-value recyclable components, so they should be handed over for reprocessing. Therefore, they should be handed over to appropriate collection points, as well as they can also be handed over to ACTIVESHOP Ltd.

**STORAGE AND TRANSPORT**

The device should be transported at a temperature in the range of (-) 20 °C to (+) 50 °C only in its original packaging. Store the device in a well-ventilated and relative humidity of no more than 75%. Operating temperature from (+) 10 °C to (+) 40 °C. During storage and transportation processes, the device must not be thrown or dropped, exposed to mechanical shocks or atmospheric agents.