

Instructions Manual

Beautyinstrument

WKB2604



VERSION 1.26

CORRECT USE OF THE DEVICE

- This product has been designed to be used by beauty professionals at beauty salons and should not be used for other purposes.
 - Please note that any misuse of the device entails the loss of the guarantee.
 - Do not make any modification to the device without the authorisation
 - we shall not be held liable for any material or personal damage due to the misuse of the product.

CONTRAINDICATIONS

- This product should not be used on:
 - People with metal implants in their body.
 - People with pacemakers or heart problems.
 - Pregnant women.
 - People with sensitive skin, lesions, inflammations, or any skin problem or disease.
- With people undergoing medical treatment or a diagnostic process, the product must be used with medical authorisation.

PRECAUTIONS

- Before using it for the first time and after each use, check the device and the mains cable for any damage.
- Unplug the device from the mains before starting to clean it or undertaking any type of maintenance.
- Do not use the product outdoors or in places where it may be affected by humidity or inclement weather.
- If the power supply cable is defective, unplug the appliance immediately and inform your dealer or specialised technician.
- Position the power supply cable properly so that people cannot trip over it and make sure you plug it into an earthed socket.
- At the end of the working day, disconnect the device and unplug the power supply cable from the mains.
- If you detect any anomaly in the operation of the product, please contact your distributor or specialised technician.

SAFETY INDICATIONS

- The device and accessories should be kept out of the reach of children.
- Only plug the device into a properly installed socket. The local mains voltage must correspond to the technical specifications of the device.
- The power socket must be accessible in case you have to quickly unplug the device at any given time.
- Always pull out the actual plug and not the mains cable.
- Never tamper with any electrical component or open up/repair any component of the device, Only your distributor or specialised technician should repair the device.
- Do not switch on the device if there is visible damage to it or to the mains cable.
- Never touch the device or the mains cable with wet hands.

WARNING



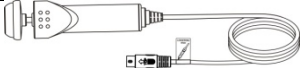
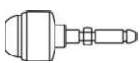
- **Do not** use it for a very long time, otherwise it will cause brush handle very hot.

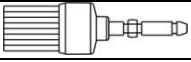
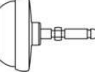
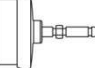
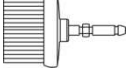
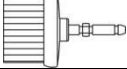

- **Do not** change brush during it is working.
- **Do not** make brush
- **Do not** use crystallized brush which has abrasion.
- During working, the cables between accessory and host machine shall not be drawn excessively.
- Broken mains cord shall be replaced with specific cord or specific assembly from its manufacturer or maintenance departments. It is strongly recommended that the accessory from original factory shall be used.
- The host machine shall be turned off and the attaching plug shall be pulled out if any abnormal condition occurs. You shall ask the agency or specific serviceman to check and maintain. The main case is not allowed to be opened.
- It is forbidden to place or use it at bathroom of wet places.
- It is forbidden to put it together with inflammable and explosive objects.

Attention

- Before using this brush to work, please check if brush was insert in the brush handle firstly.
- Please turn down the rotary speed of brush before touching customers' skin; when touch customers' skin, it must be slightly to avoid causing customer feel uncomfortable.
- When use brush to cleaning or massaging skin, please use thickness skin care products and turn down rotary speed of brush, in case of skin care products splashed by fast rotary speed and causing waste and pollution.
- If it is needed to change brush during skin caring, please stop outputting of the host machine. And wait brush stop to unload and setting up.
- Please clean and sterilize all the used brushes after finishing work, and keep them in the dry place.
- It cannot clean brush handle by water but wipe it clean by towel and keep it in the dry place. Note: if using alcohol to sterilize only for the metal part of the probe, do not wipe other parts of the probe (especially the plastic parts of the probe), otherwise it will damage the probe.

Packing List

| Name | Graphic | Quantity |
|--------------------------------------|---|----------|
| Host Machine |  | 1 Round |
| The power adapter |  | 1 Piece |
| Brush handle |  | 1 Piece |
| Crystallized brush small brush |  | 1 Piece |

| | | |
|--------------------|---|---------|
| Fuzz small brush |  | 1 Piece |
| Crystallized brush |  | 1 Piece |
| EVA big brush |  | 1 Piece |
| Fuzz big brush |  | 1 Piece |
| shag big brush |  | 1 Piece |
| Instruction Manual |  | 1 Copy |

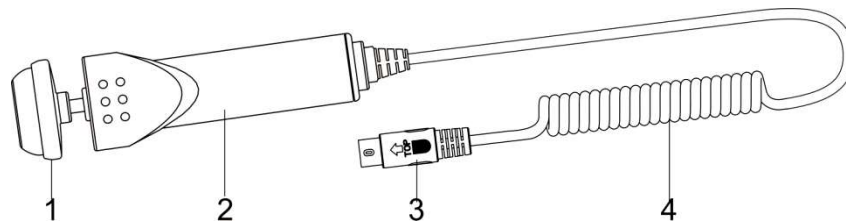
Introduction of Host Machine

1. Power Switch
2. Control Panel
3. Power input plug
4. Brush function



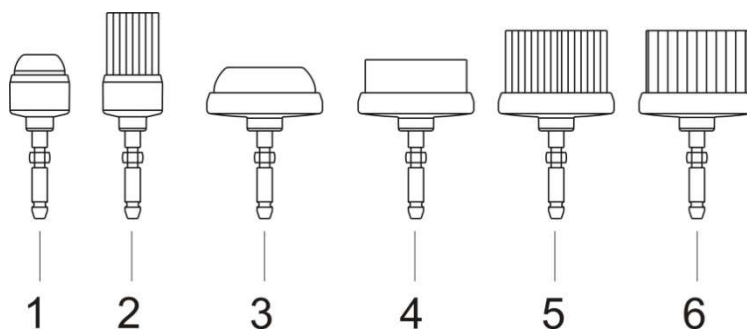
Accessories

Brush handle



1. Brush head
2. Brush handle
3. Brush flexible wire plug
4. Brush flexible wire

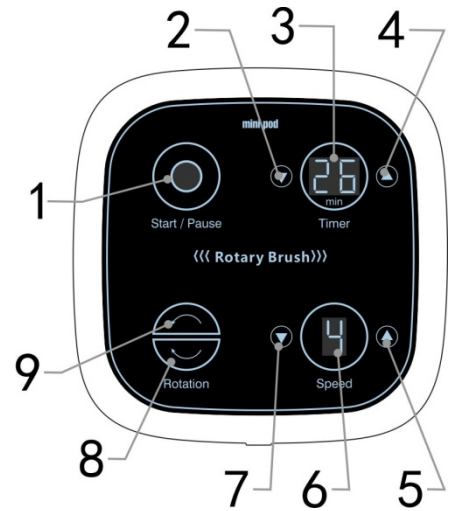
Brushes



1. Crystallized small brush: Clean small area horny and callus of hands and feet.
2. Fuzz small brush: Clean and massage small area skin of face etc.
3. Crystallized big brush: Clean large area horny and callus of hands and feet.
4. EVA big brush: Clean and massage large area skin of face etc.
5. Fuzz big brush: Clean and massage large area skin of face etc.
6. Shag big brush: Clean and massage large area skin of face and other position.

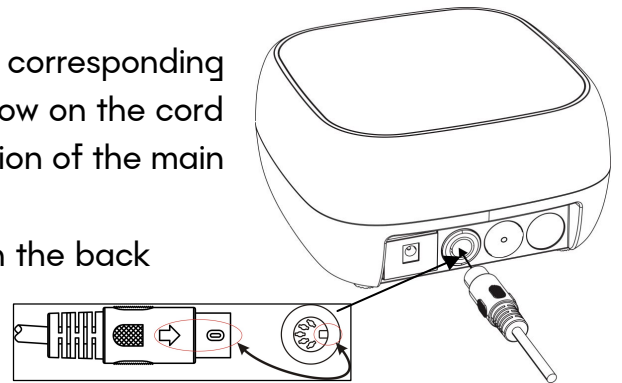
Control Panel Introduction


1. Star /pause key
2. Time decrease key
3. Time display window
4. Time increase key
5. Energy increase key
6. Energy display window
7. Energy decrease key
8. Clockwise rotary working status key
9. Inverse hour rotary working status key



Control instructions

- Plug the Brush handle 's cord plug into the corresponding output on the back of the main unit. The arrow on the cord plug corresponds to the corresponding position of the main unit's output jack.
- Plug the power plug into the power outlet on the back of the main unit



Turn on the power "  " of host machine ,blue indicator light up, host machine is stand-by, would show as below:

Time display "15";


Energy display "1";



Inverse hour rotary working status key  become blue.

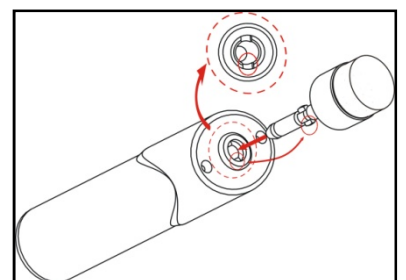
In this state, you can directly press the "Start / Pause" button to start the host output.

- Function adjustment: In stand by station, press key ,when the light became blue, then the function is good to work(Time adjust and Energy indicate icon would not change)

Time adjust: Press "Timer" increase key  and time decrease key  to adjust host machine working time , time adjust range 1~30 minutes.

Energy adjust: Press "Power" increase key  decrease key  to adjust energy output, energy output range is 1~9 level.

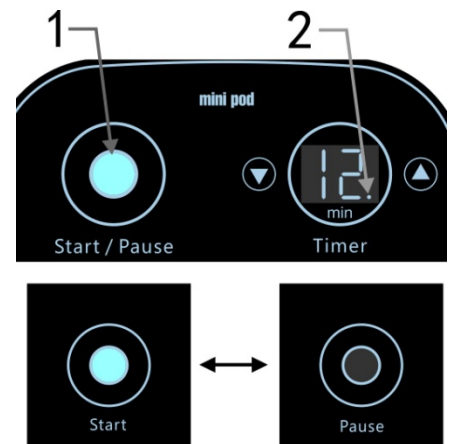
Select brush rotary direction:  means clockwise rotary output status; and  lights means inverse hour rotary output status; If it is needed to change the rotary direction at the working time, the host machine will come to protection status, and it will transfer automatically after the brush stop to rotaries.



Start and Pause: In stand by or after adjust press “**Start / Pause**” key to start or pause host machine; The startup indicator (Figure 1) will illuminate when the host is started. The point in the lower right corner of the time display window (Figure 2) will flash. Suspend the host, the lights and points will go out.

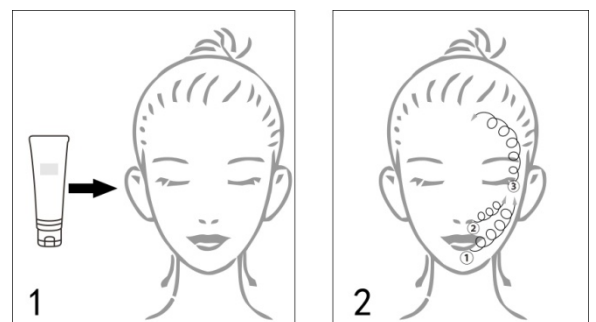
Change brush:

- Unload brush: Hold the brush handle in one hand, and hold the plastic part of the brush by another hand, then pull in opposite direction, and then unload the brush easily by hearing “click click” sound.
- Setting up brush: Hold the brush handle in one hand, and hold the plastic part of the brush by another hand, then rotate and push in opposite direction, and then set up the brush easily by hearing “Ka” sound.
- For unload or set up brush, only can be push or pull the plastic part by hand, but not to do this to the material of brush (e.g. EVA or fuzz etc.). Otherwise will make bad effect to work, even destroy brush.



Cleaning skin:

- Firstly use sprayer or clean water softens skin.
- Wipe skin care production (e.g. cleaning milk or cleaning jelly etc.)equably on skin, according to the characteristic and need to cleaning skin area to choose suitable brush and set up on the brush handle, dip a little water on brush and move it to needed to cleaning skin, turn on host machine then can be come to cleaning and massage.
- Keep skin moist during the whole cleaning operation.
After cleaning the brusher, use a towel or facial tissue to remove the skin care products and so on. Then clean the skin with a clean wet towel or a moist Cleanser



Daily Maintenance:

- Please clean and sterilize all the used brushes after finish working.
- The instrument should be wiped with dry dishcloth, **DO NOT** wet in water.
- Please switch on the main power after using of instrument every day, and takes away the plug when finishes a working day.
- The instrument should **NOT** be placed in sunlight, raining, moisture, dust and smoke accumulated area.

Specification, Model & Technical Data

| | |
|-------------|--------------------------------|
| Product | Rotary Brush Beauty Instrument |
| Model No. | WKB2604 |
| Voltage | DC 35V |
| Rated power | 20 W |
| Size(L*W*H) | 18cm×18cm×9cm |
| Net weight | 1.5Kg |

Thank you for purchasing this product!

- Please read the entire instruction manual carefully before using the product. Take note of any warnings included in this manual.
- Always keep this instruction manual handy and if you give the device to another person, hand over the manual as it is an essential part of the product.
- Some components of the product may differ from the image that appears in catalogues, websites, brochures, etc.
- In order to enhance the product, the manufacturer reserves the right to modify its features and/or components without prior notice.



Imported by
WEELKO BARCELONA SL
Pol. Ind. La Valldan

Camí de Garreta, 92
08600 Berga
Barcelona - Spain
T. +34 93 824 90 20
E. info@weelko.com