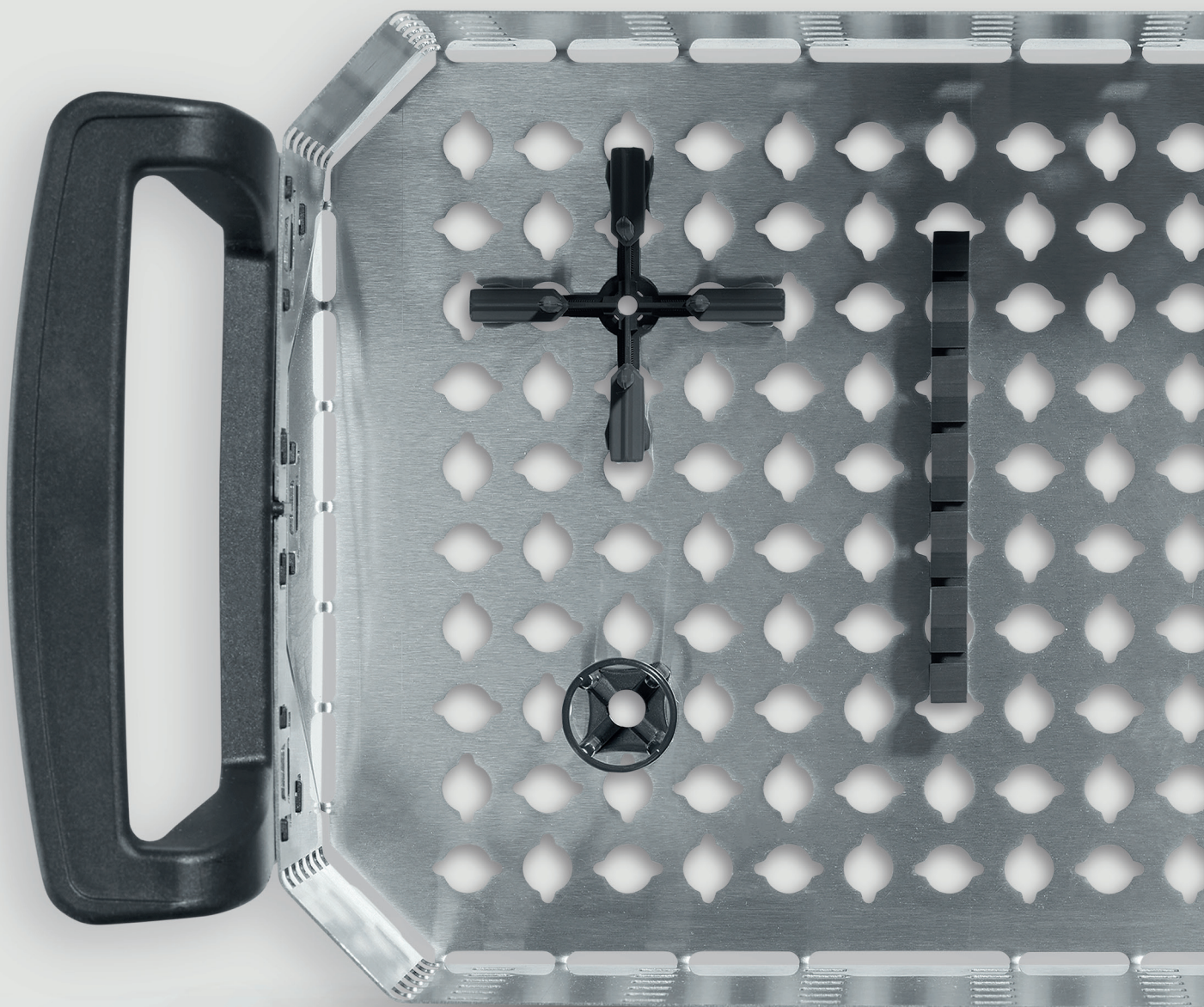


Elmasonic Table top units Accessories

Product Information and Prices



Contents

- Modular basket system	3
Modular basket	3
Level set	5
Dividing wall set	7
Holder set	9
Silicone holder set	11
Elma starter Set	12
Elma Pin Set	13
Silicone holder set (Bottom comb / Side comb)	15
Basket for small parts	17
- Baskets	19
Basket	19
Stacking basket	21
- Covers	22
Stainless steel lid	22
Plastic lid	24
Noise protection covers	26
- Holders and product carriers	27
Equipment holder	27
Test tube holder	28
Holder for reaction tubes	30
Hooks holder	32
Ring stand	34
Holding clamps for Erlenmeyer flasks	35
Dental-Tray holder	38
- Inserts	40
Acid resistant insert tray	40
BD-Steribox	42
Cleaning cup	43
Cleaning glasses	45
Immersion baskets	53
Hostal tub	55
Silicone mats	57
Small parts holder	59
- Practicals	60
Cooling coil	60
Drain sieve	61
Sieve cleaning module SRH 4 / 200	62
- Elma Mutebox	64
- Elma Sink	67
- Elma Dry	70

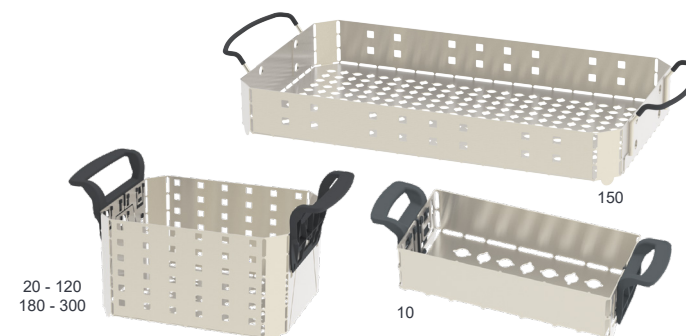
Product Information and Prices



Elmasonic Accessories - Modular basket system

Modular basket

- stainless steel with plastic handles (10 - 120 & 180 - 300) or Rilsan coating (150)
- ergonomic handles
- autoclavable
- Bayonet holes in the bottom for mounting holders (e.g. Elma Pin, silicone holder bottom comb)
- Square openings in the side walls for mounting silicone holders



Basket size	10	20	30	40	60	80	100	120	150	180	300	
Order number	1117923	1119922	1108916	1113045	1113050	1111838	1113387	1113390	1113110	1113404	1113072	
List price	45,00 €	47,50 €	50,00 €	58,00 €	70,00 €	130,00 €	150,00 €	150,00 €	195,00 €	175,00 €	195,00 €	
Int. dim. of basket W / D / H (mm)	155 / 70 / 35	110 / 105 / 50	195 / 105 / 50	195 / 105 / 95	255 / 105 / 95	455 / 105 / 55	250 / 195 / 90	250 / 195 / 135	450 / 255 / 55	280 / 255 / 135	450 / 255 / 135	
Chamfer V x W (mm)	--	20 x 20					25 x 25					
Hole diameter bottom Y x Z (mm)	11 x 15											
Hole diameter sides Y ₁ x Z ₁ (mm)	--	10 x 10										
Loading weight max. (kg)	1,0	1,0	1,0	3,0	5,0	5,0	6,0	7,0	7,0	8,0	10,0	
Suitable for unit / bath size	10	15	20	30	40	60	80	100	120	150	180	300
• Elmasonic Easy	•		•	•	•	•		•	•		•	•
• Elmasonic Med				•	•	•		•	•		•	•
• Elmasonic Select				•	•	•		•	•	•	•	•
• Elmasonic S	•	•		•	•	•		•	•	•	•	•
• Elmasonic P				•	•		•	•	•		•	•
• Elmadry				•				•				•
• Elma Sink					•	•					•	•

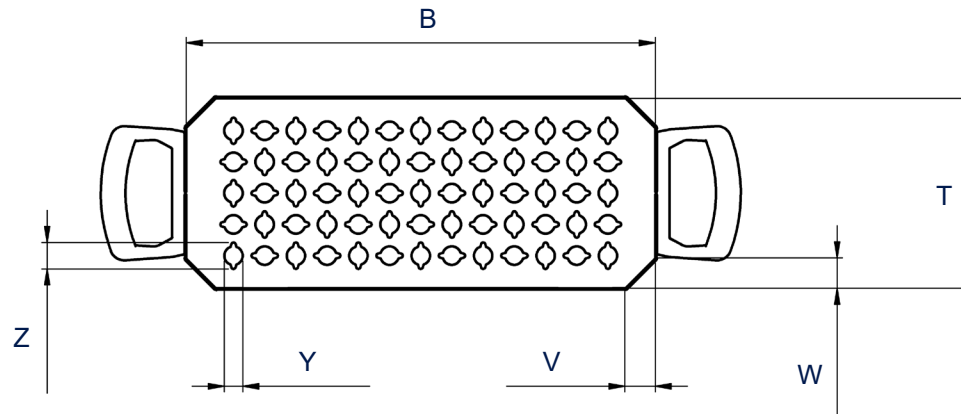
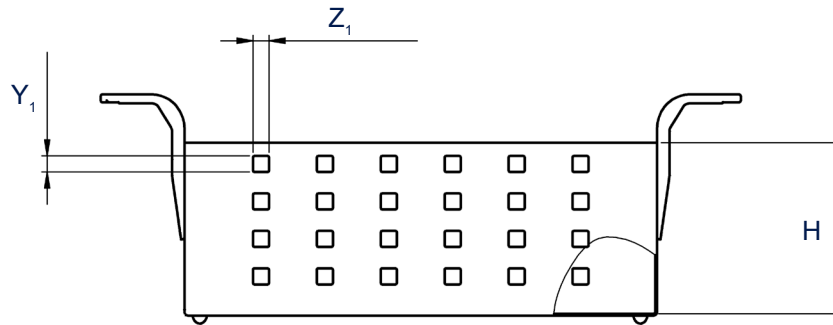
All prices ex works, excluding packaging.

Technical specifications serve as orientation values and are subject to tolerances due to production and manufacturing. Proper operation can only be guaranteed when using original Elma devices.

Elmasonic Accessories - Modular basket system

Modular basket

Dimension definition



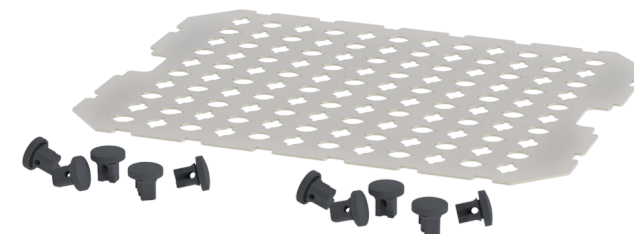
The drawings are meant as a visualization aid and are not true to scale.

Technical specifications serve as orientation values and are subject to tolerances due to production and manufacturing. Proper operation can only be guaranteed when using original Elma devices.

Elmasonic Accessories - Modular basket system

Level set

- Level made of stainless steel
- for horizontal division of the modular basket
- Product contents Level set:
 - Level size S and M: 1x Level + 5x Silicone holder per set
 - Level size L and XL: 1x Level + 10x Silicone holder per set
- maximum one horizontal division per modular basket allowed
- the level can be used at different heights
- autoclavable
- Bayonet holes in the bottom for mounting holders (e.g. Elma Pin, silicone holder bottom comb)



Level size	S	M	L	XL
Order number	1125225	1125226	1125227	1125228
List price	15,00 €	15,00 €	30,00 €	35,00 €
Ext. dimension W / D / H (mm)	195 / 105 / 1	255 / 105 / 1	250 / 195 / 1	285 / 250 / 1
Hole diameter Dia (mm)	11 x 15			
Weight per level (g)	110	150	280	410
Max. loading weight per basket size and level (kg)	1,0	1,0	2,0	2,0

Level size	S	M	L	XL
Suitable for basket size:				
30	1 set			
40	1 set			
60		1 set		
80	2 sets side by side			
100			1 set	
120			1 set	
150			2 sets side by side	
180				1 set
300			2 sets side by side	

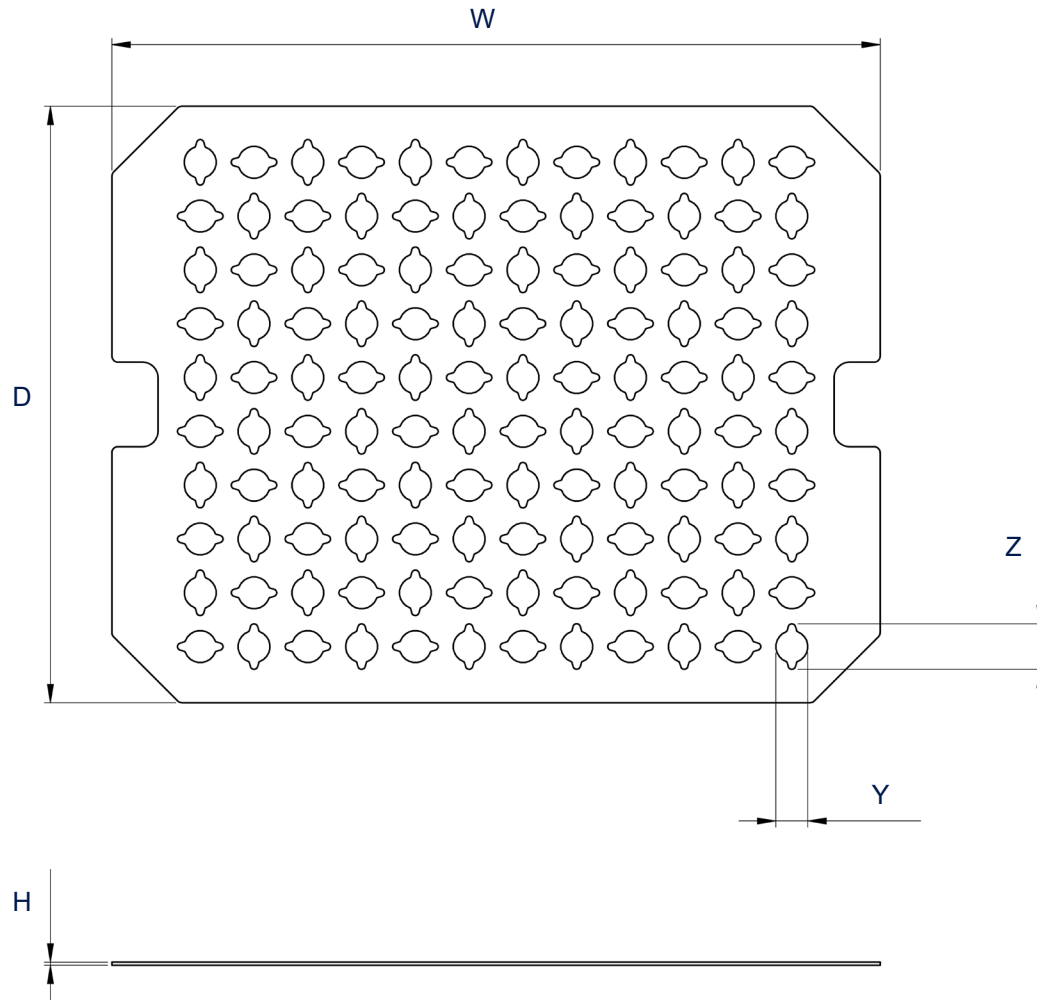
All prices ex works, excluding packaging.

Technical specifications serve as orientation values and are subject to tolerances due to production and manufacturing. Proper operation can only be guaranteed when using original Elma devices.

Elmasonic Accessories - Modular basket system

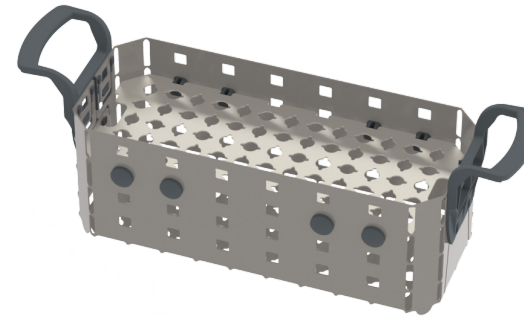
Level set

Dimension definition

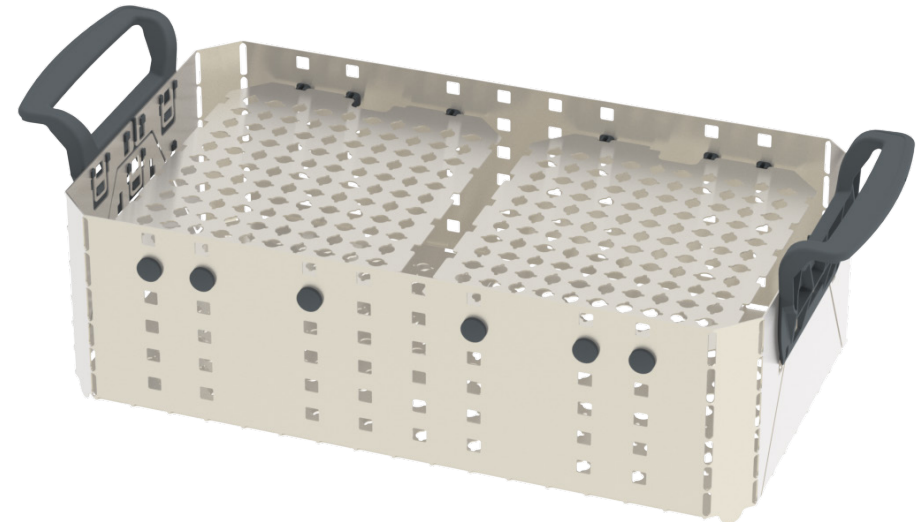


Example of application

Basket size 60 with Level set size M



Basket size 300 with 2 Level sets size L side by side



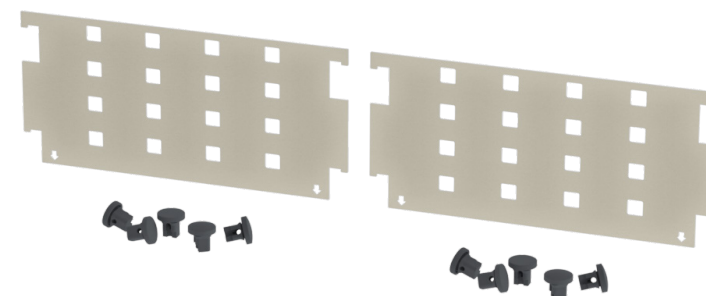
The drawings are meant as a visualization aid and are not true to scale.

Technical specifications serve as orientation values and are subject to tolerances due to production and manufacturing. Proper operation can only be guaranteed when using original Elma devices.

Elmasonic Accessories - Modular basket system

Dividing wall set

- Dividing wall made of stainless steel
- for vertical division of the modular basket
- Product contents Dividing wall set: 2x Dividing wall + 10x Silicone holder per set
- autoclavable
- Square openings in the side walls for mounting silicone holders



Dividing wall size	S low	S high	M	L low	L high
Order number	1125220	1125221	1125223	1125222	1125224
List price	25,00 €	40,00 €	35,00 €	35,00 €	40,00 €
Ext. dimension W / D / H (mm)	105 / 50 / 1	105 / 90 / 1	200 / 60 / 1	200 / 90 / 1	255 / 130 / 1
Hole diameter Dia (mm)	10 x 10				
Weight per dividing wall (g)	70	40	130	100	230

Dividing wall size	S low	S high	M	L low	L high
Suitable for basket size:					
20	1 Set				
30	2 Sets				
40	2 Sets	2 Sets			
60	2 Sets	2 Sets			
80	4 Sets	4 Sets			
100	2 Sets	2 Sets	2 Sets		
120	2 Sets	2 Sets	2 Sets		
150	4 Sets			4 Sets	
180	2 Sets	2 Sets			2 Sets
300	4 Sets	4 Sets			2 Sets

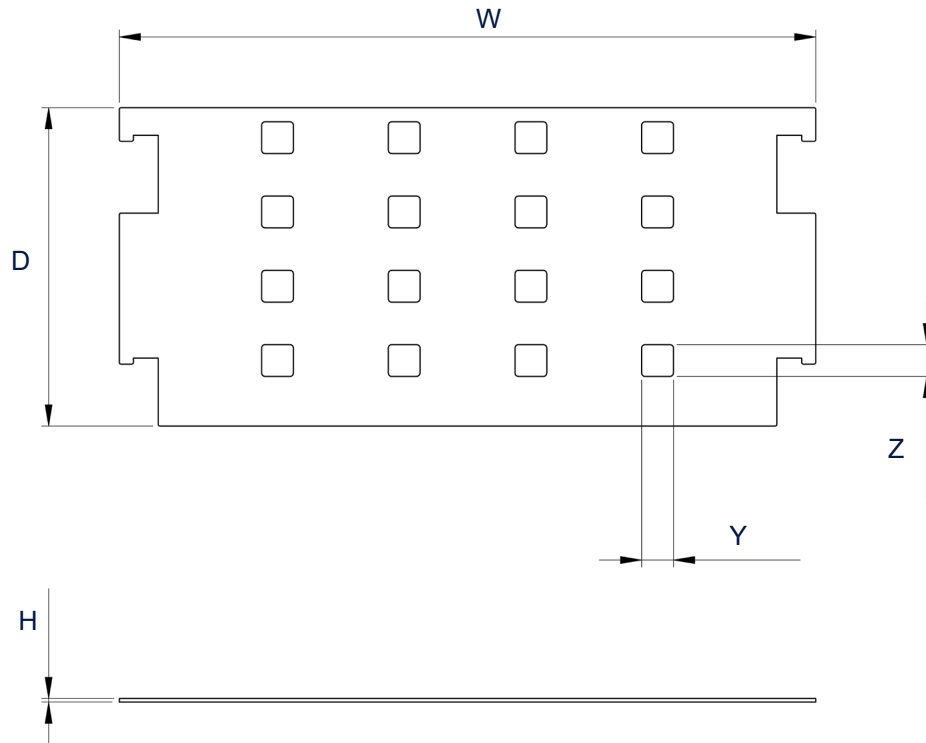
All prices ex works, excluding packaging.

Technical specifications serve as orientation values and are subject to tolerances due to production and manufacturing. Proper operation can only be guaranteed when using original Elma devices.

Elmasonic Accessories - Modular basket system

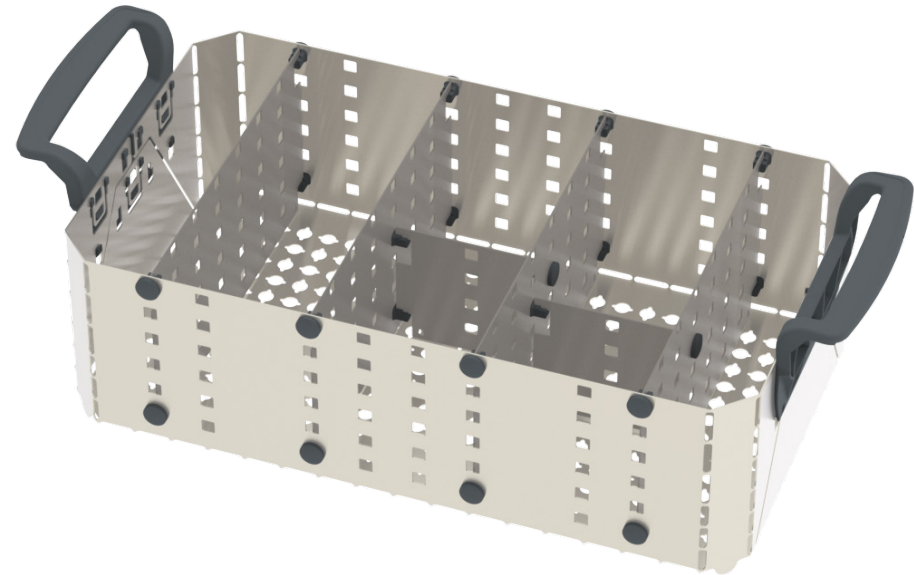
Dividing wall set

Dimension definition

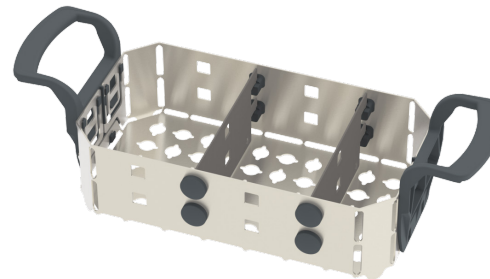


Example of application

Basket size 300 with 2x Dividing wall set L high + 1x Dividing wall set S high



Basket size 30 with 2x Dividing wall set S low



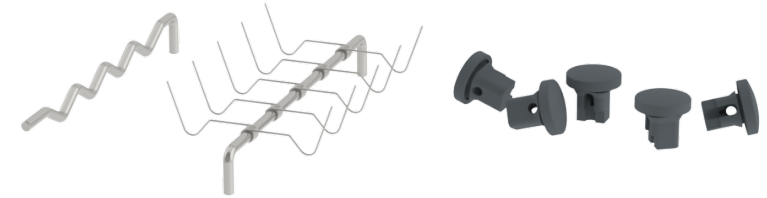
The drawings are meant as a visualization aid and are not true to scale.

Technical specifications serve as orientation values and are subject to tolerances due to production and manufacturing. Proper operation can only be guaranteed when using original Elma devices.

Elmasonic Accessories - Modular basket system

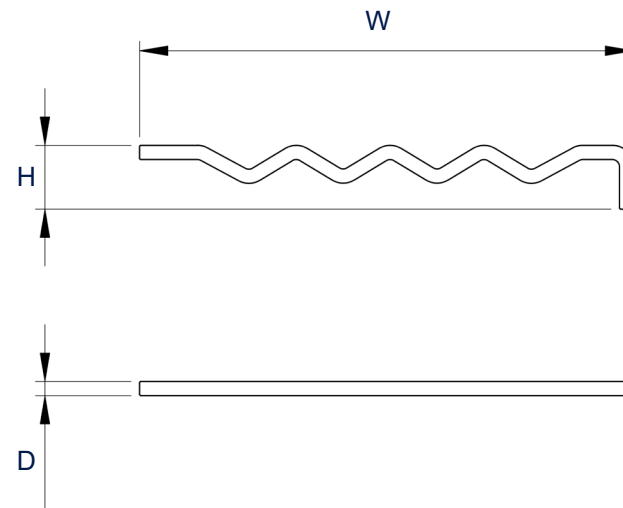
Holder set

- made of stainless steel
- Holder hooks Rilsan-coated
- Holder hooks with 10 hooks
- Holder hooks for holding e.g. jewelry and watch parts
- Holder shaft with 4 shaft
- Holder shaft for holding e.g. Impression tray
- Product contents Holder set: 1x Holder shaft, 1x Holder hooks, 5x Silicone holder per set

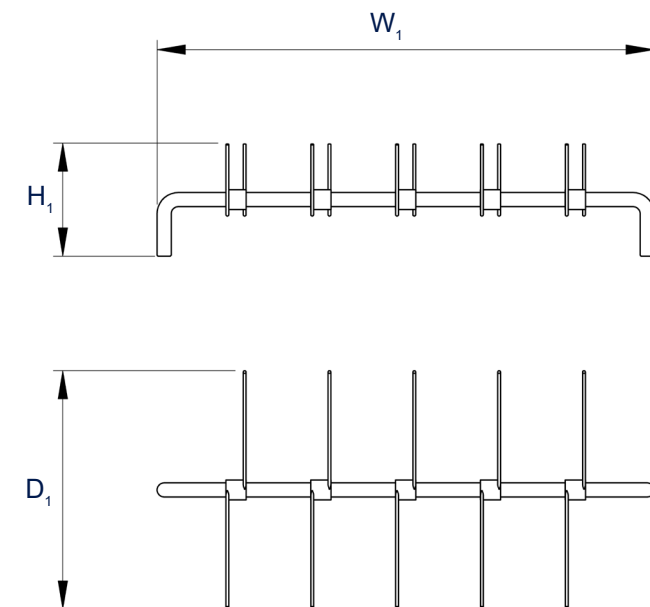


dimension definition

Holder shaft



Holder hooks



	Holder set
Order number	1125219
List price	40,00 €
Ext. dimension Holder shaft W / W / H (mm)	105 / 3 / 15
Ext. dimension Holder hooks W ₁ / D ₁ / H ₁ (mm)	110 / 55 / 25
Weight bracket shaft (g)	7
Weight holder hooks (g)	9

All prices ex works, excluding packaging.

The drawings are meant as a visualization aid and are not true to scale.

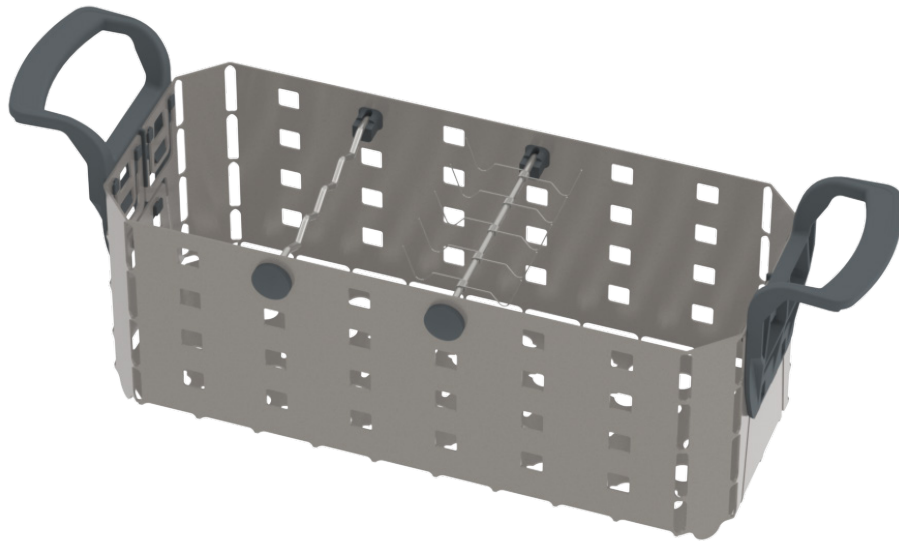
Technical specifications serve as orientation values and are subject to tolerances due to production and manufacturing. Proper operation can only be guaranteed when using original Elma Units.

Elmasonic Accessories - Modular basket system

Holder set

Example of application

Basket size 60 with 1x Holder set



The drawings are meant as a visualization aid and are not true to scale.

Technical specifications serve as orientation values and are subject to tolerances due to production and manufacturing. Proper operation can only be guaranteed when using original Elma devices.

Elmasonic Accessories - Modular basket system

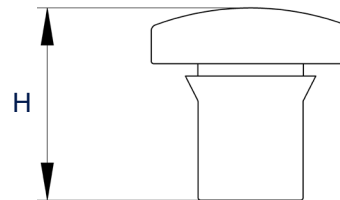
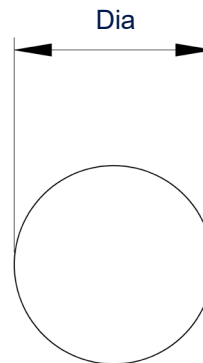
Silicone holder set

- for mounting levels, dividing walls and supports
- Product contents Silicone holder set: 10x Silicone holder per set
- easy handling
- easy positioning



dimension definition

	Silicone holder set
Order number	1125208
List price	15,00 €
Ext. dimension Dia / H (mm)	20 / 20
Weight per silicone holder (g)	4



All prices ex works, excluding packaging.

The drawings are meant as a visualization aid and are not true to scale.

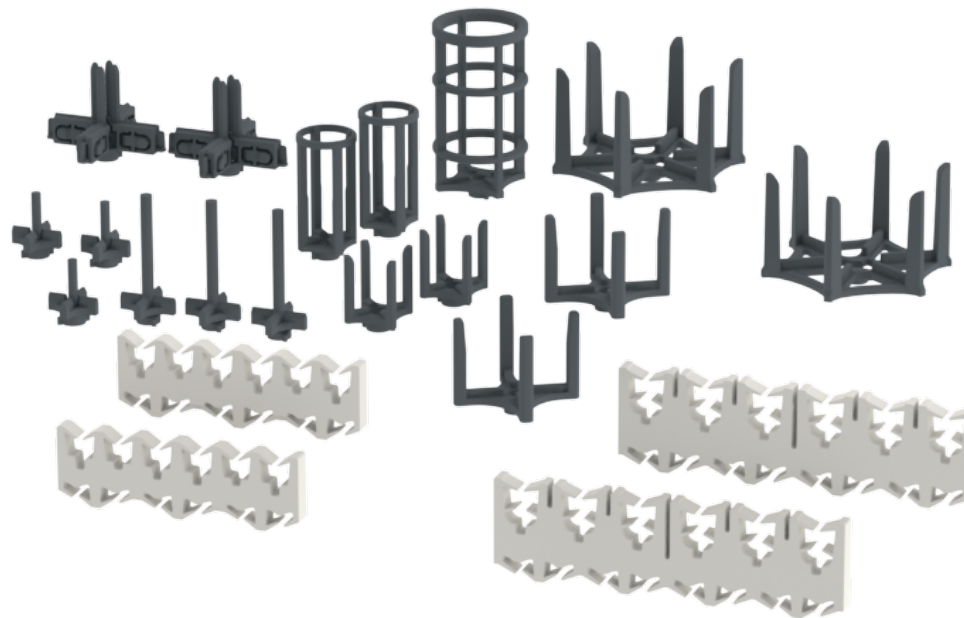
Technical specifications serve as orientation values and are subject to tolerances due to production and manufacturing. Proper operation can only be guaranteed when using original Elma Units.

Elmasonic Accessories - Modular basket system

Elma starter Set

- Product contents Elma starter Set: 3x each Elma Pin 0741 and 0772 per set
2x each Elma Pin 0509, 0158, 0767, 0613+0614, 0021R and 0001R per set
2x silicone holder side comb and bottom comb each per set
- for further features on the individual Elma pins and silicone holders, see page 9 onwards

	Elma starter Set
Order number	1124042
List price	50,00 €



All prices ex works, excluding packaging.

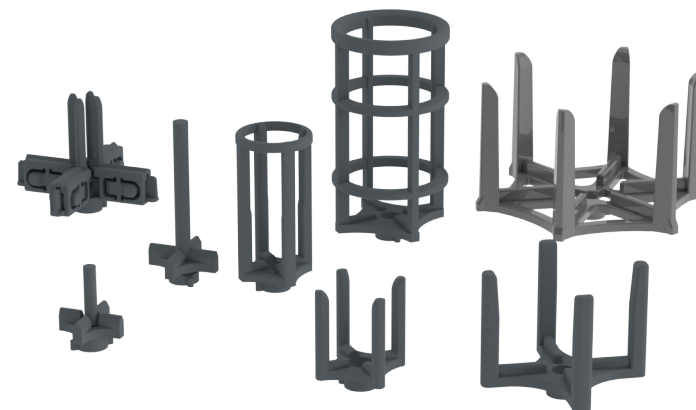
The drawings are meant as a visualization aid and are not true to scale.

Technical specifications serve as orientation values and are subject to tolerances due to production and manufacturing. Proper operation can only be guaranteed when using original Elma Units.

Elmasonic Accessories - Modular basket system

Elma Pin Set

- made of plastic
- Color: Black
- For mounting and holding various components
- Product contents Elma Pin Set: 10x Elma Pin per set
- Bayonet lock for easy mounting on the bottom of the baskets and on the levels



Elma Pin	0509	0158	0767	0613 + 0614		0741	0772	0021R	0001R
Order number	1125209	1125210	1125211	1125212		1125214	1125213	1125216	1125215
List price	15,00 €	15,00 €	15,00 €	50,00 €		15,00 €	15,00 €	15,00 €	15,00 €
Ext. dimension Dia / H (mm)	30 / 35	50 / 40	85 / 65	55 / 45	75 / 45	25 / 30	25 / 55	25 / 55	40 / 75
int. dimension Dia ₁ / H ₁ (mm)	20 / 20	40 / 25	50 / 35	0,35 / 25	25 / 25	4 / 15	5 / 40	15 / 40	30 / 65
Outer overlay Dia ₂ (mm)	--	--	--	15	40	--	--	--	--
Weight per Elma Pin (g)	3	6	7	6		2	3	4	8
									

All prices ex works, excluding packaging.

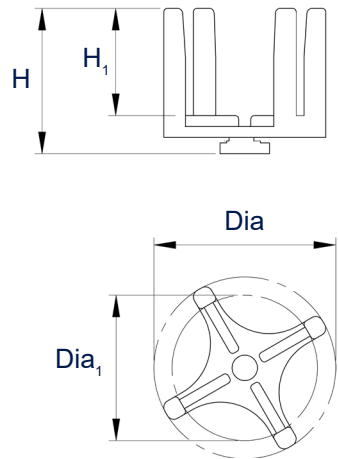
Technical specifications serve as orientation values and are subject to tolerances due to production and manufacturing. Proper operation can only be guaranteed when using original Elma devices.

Elmasonic Accessories - Modular basket system

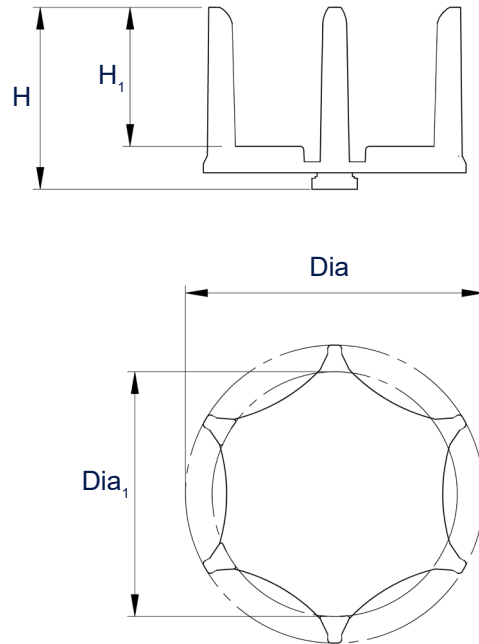
Elma Pin Set

Dimension definition

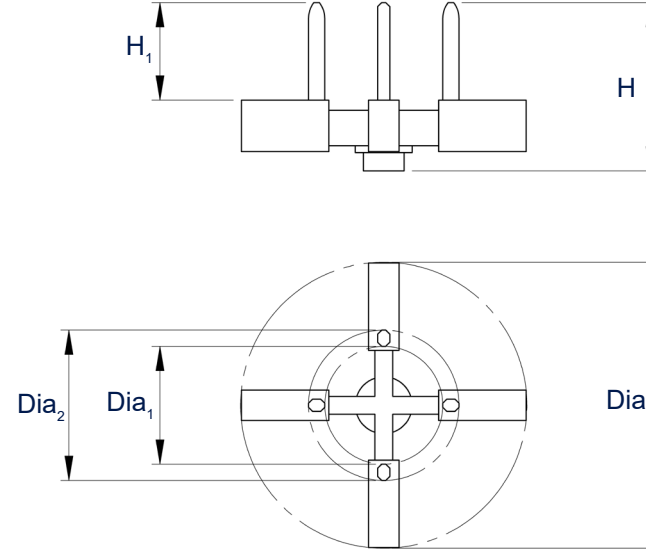
Elma Pin 0509 & 0158



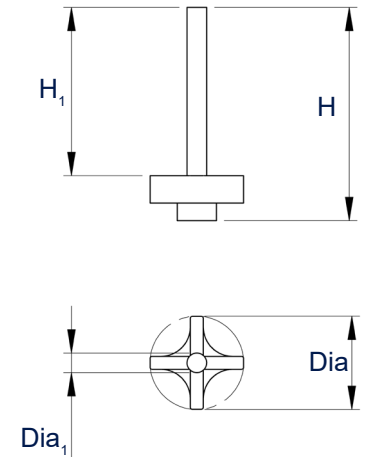
Elma Pin 0767



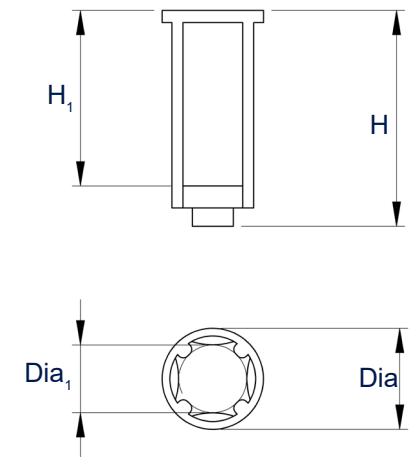
Elma Pin 0613 & 0614



Elma Pin 0741 & 0772



Elma Pin 0021R & 0001R



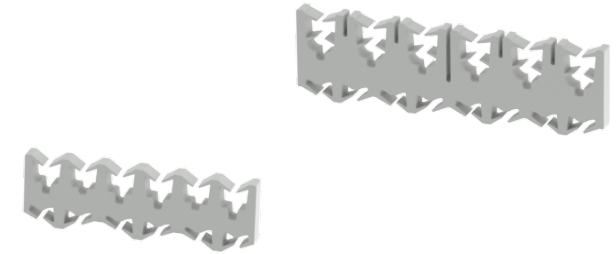
The drawings are meant as a visualization aid and are not true to scale.

Technical specifications serve as orientation values and are subject to tolerances due to production and manufacturing. Proper operation can only be guaranteed when using original Elma Units.


Elmasonic Accessories - Modular basket system

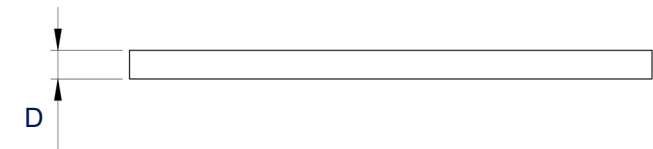
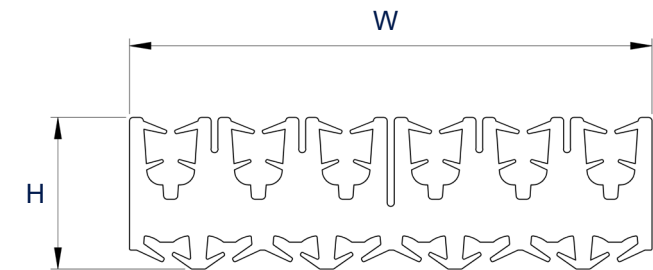
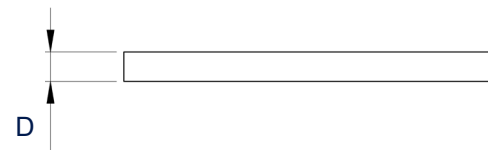
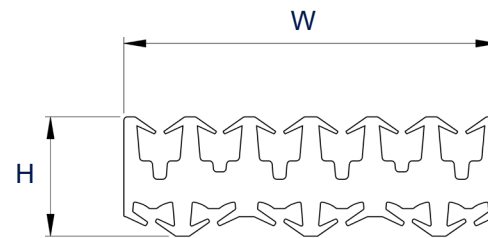
Silicone holder set (Bottom comb / Side comb)

- for holding various instruments, containers (e.g. flasks) and workpieces
- Scope of delivery silicone holder set bottom comb: 10x silicone holder bottom comb each per set
- Scope of delivery silicone holder set side comb: 5x silicone holder side comb each per set
- Color: White



dimension definition

	Bottom comb	Side comb
Order number	1125217	1125218
List price	60,00 €	60,00 €
Ext. dimension W / D / H (mm)	105 / 10 / 35	150 / 10 / 45
Weight per silicone holder (g)	35	71
		



All prices ex works, excluding packaging.

The drawings are meant as a visualization aid and are not true to scale.

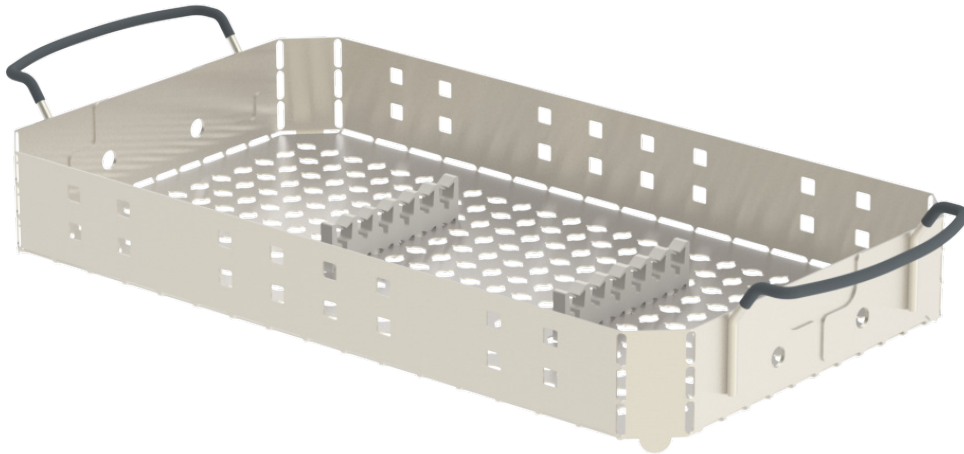
Technical specifications serve as orientation values and are subject to tolerances due to production and manufacturing. Proper operation can only be guaranteed when using original Elma Units.

Elmasonic Accessories - Modular basket system

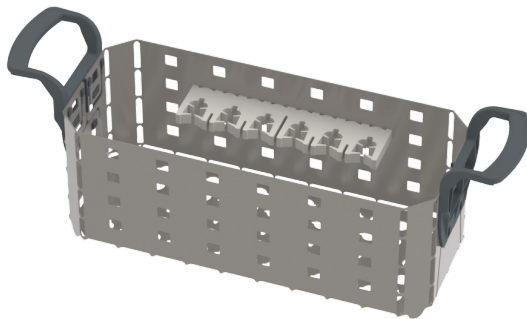
Silicone holder set (Bottom comb / Side comb)

Example of application

Basket size 150 with 2x Bottom comb



Basket size 60 with 1x Side comb



The drawings are meant as a visualization aid and are not true to scale.


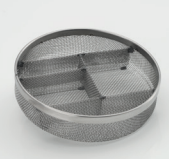




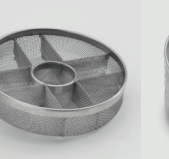

Technical specifications serve as orientation values and are subject to tolerances due to production and manufacturing. Proper operation can only be guaranteed when using original Elma Units.

Elmasonic Accessories - Modular basket system

Basket for small parts

- Basket for cleaning small parts
- made of stainless steel
- compatible with Elma pins



	Basket 1-piece 1 / 3 height	Basket 5-pieces 1 / 3 height	Miniature basket	Cover for Miniature basket	Cover for basket	Basket 4-pieces 1 / 3 height	Basket 9-pieces 1 / 3 height	Basket 1-piece 1 / 1 height
Order number	3000006012	3000006014	3000006017	3000006016	3000006018	3000006013	3000006015	3000009104
List price	21,00 €	40,00 €	13,50 €	17,00 €	13,50 €	35,00 €	62,00 €	40,00 €
Ext. dimensions Dia / H (mm)	64 / 16	64 / 16	21 / 12	20 / 4	64 / 2	64 / 16	64 / 16	64 / 42
Int. dimensions Dia ₁ / H ₁ (mm)	60 / 15	60 / 15	18 / 11	--	--	60 / 15	60 / 15	60 / 41
								

All prices ex works, excluding packaging.

The drawings are meant as a visualization aid and are not true to scale.

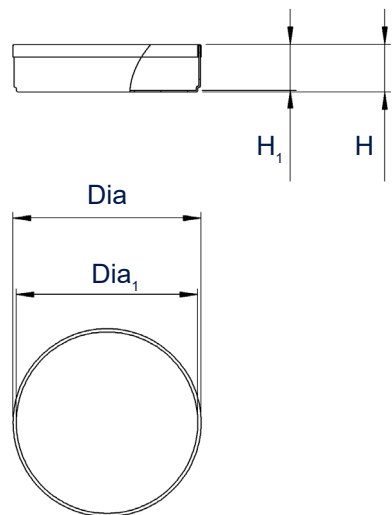
Technical specifications serve as orientation values and are subject to tolerances due to production and manufacturing. Proper operation can only be guaranteed when using original Elma devices.

Elmasonic Accessories - Modular basket system

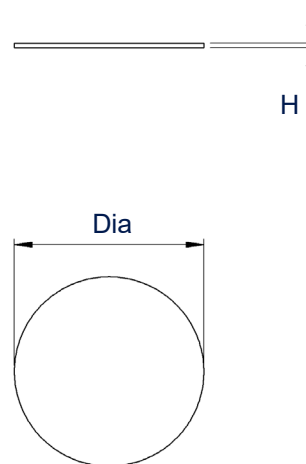
Basket for small parts

Dimension definition

Baskets



Covers



The drawings are meant as a visualization aid and are not true to scale.

Technical specifications serve as orientation values and are subject to tolerances due to production and manufacturing. Proper operation can only be guaranteed when using original Elma devices.

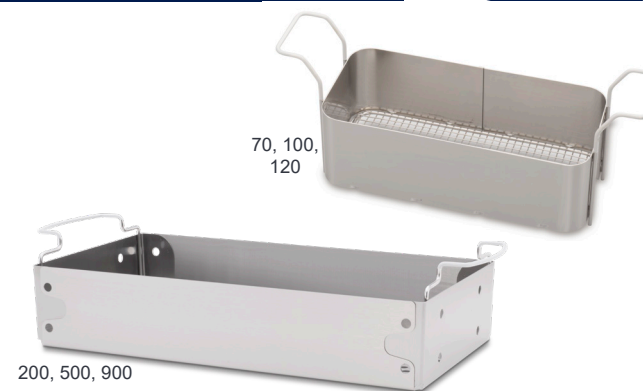
Product Information and Prices



Elmasonic Accessories - Baskets

Basket

- made of stainless steel and with Rilsan-coated handles
- the basket 200 (order no. 1108458) also serves as a holder for sterilisation baskets
 - DIN 1 / 1 short (W / D - 485 / 253 mm) (H - max. 100 mm)
 - DIN 3 / 4 (W / D - 406 / 253 mm) (H - max. 100 mm)



	70	100 medium	120 medium	100 flat	120 flat	200	500	900
Order number	1004247	1071801		1077166		1108458	1107675	1107641
List price	168,00 €	190,00 €		165,00 €		195,00 €	305,00 €	405,00 €
Basket int. dim. W / D / H (mm)	465 / 105 / 50	255 / 200 / 45		255 / 200 / 25		490 / 255 / 95	460 / 300 / 195	545 / 460 / 190
Mesh size Y x Z (mm) / Hole diameter Dia (mm)	9 x 1					11	11	
Loading weight max. (kg)	5,0	6,0				4,0	20,0	30,0
Suitable for	70	100	120	100	120	200	500	900
• Elmasonic Easy		•	•	•	•			
• Elmasonic Med		•	•	•	•	•	•	•
• Elmasonic Select		•	•	•	•		•	•
• Elmasonic S		•	•	•	•		•	•
• Elmasonic P	•		•		•			
• Elmadry TD			•		•			

All prices ex works, excluding packaging.

Technical specifications serve as orientation values and are subject to tolerances due to production and manufacturing. Proper operation can only be guaranteed when using original Elma devices.

Elmasonic Accessories - Baskets

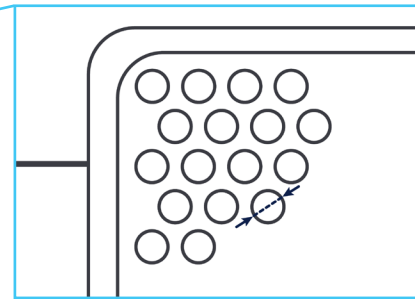
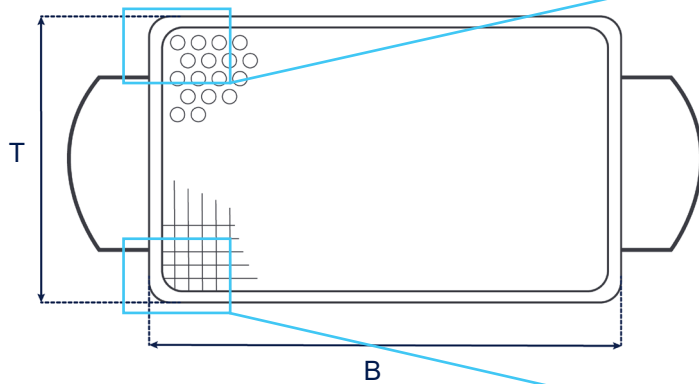
Basket

Dimension definition

Basket internal dimensions

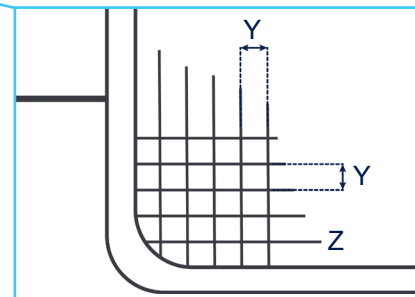
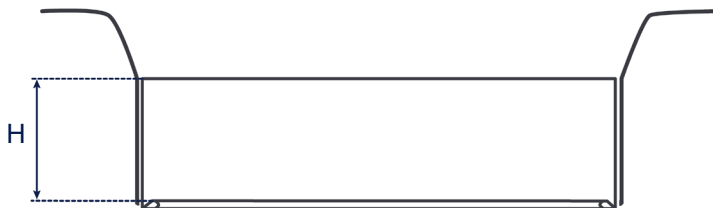
Hole diameter

Dia = Hole diameter (basket sizes 200, 500, 900)



Mesh size

Y = Mesh size; Z = Wire diameter (basket sizes 70, 100 medium / flat, 120 medium / flat)



The drawings are meant as a visualization aid and are not true to scale.

Technical specifications serve as orientation values and are subject to tolerances due to production and manufacturing. Proper operation can only be guaranteed when using original Elma devices.

Elmasonic Accessories - Baskets

Stacking basket

- made of stainless steel and with Rilsan-coated handles



	180
Order number	2070880000
List price	405,00 €
Basket int. dim. lower basket W / D / H (mm)	270 / 240 / 50
Basket int. dim. upper basket W / D / H (mm)	265 / 235 / 50
Mesh size Y x Z (mm)	9 x 1
Loading weight max. (kg)	8,0

All prices ex works, excluding packaging.

Technical specifications serve as orientation values and are subject to tolerances due to production and manufacturing. Proper operation can only be guaranteed when using original Elma devices.

Elmasonic Accessories - Covers

Stainless steel lid

- reduce the noise of the ultrasonic cleaning
- save energy and costs by reducing waste heat and collecting / recirculating the water vapour



	30	40	60	100	120	150	180	300	500	900
Order number	1111930		1111931	1111932		1111933	1111934	1111933	1082096	1082091
List price	50,00 €		65,00 €	86,00 €		160,00 €	108,00 €	160,00 €	101,00 €	155,00 €
External dimensions W / D / H (mm)	265 / 160 / 55		325 / 175 / 55	325 / 265 / 55		530 / 325 / 55	355 / 325 / 55	530 / 325 / 55	540 / 370 / 50	650 / 550 / 50
Suitable for	30	40	60	100	120	150	180	300	500	900
• Elmasonic Easy	•	•	•	•	•		•	•		
• Elmasonic Med	•		•	•	•		•	•	•	•
• Elmasonic Select	•	•	•	•	•	•	•	•	•	•
• Elmasonic S	•	•	•	•	•	•	•	•	•	•
• Elmasonic P	•		•	•	•		•	•		

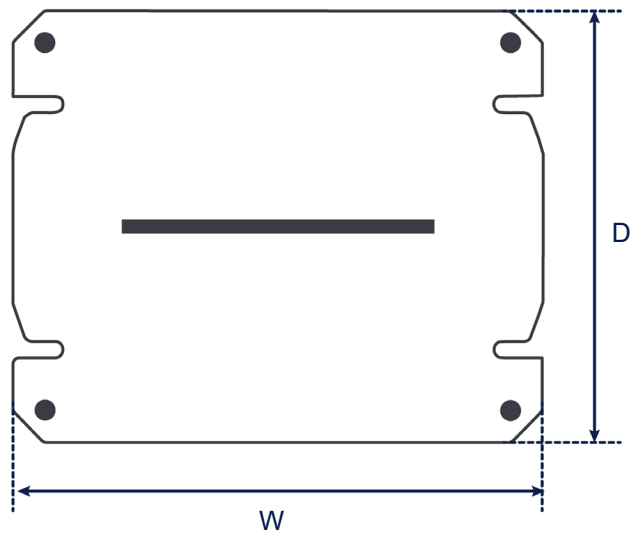
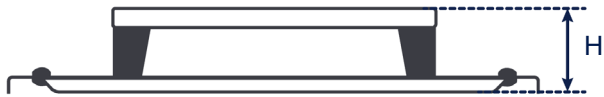
All prices ex works, excluding packaging.

Technical specifications serve as orientation values and are subject to tolerances due to production and manufacturing. Proper operation can only be guaranteed when using original Elma accessories.

Elmasonic Accessories - Covers

Stainless steel lid

Dimension definition



The drawings are meant as a visualization aid and are not true to scale.

Technical specifications serve as orientation values and are subject to tolerances due to production and manufacturing. Proper operation can only be guaranteed when using original Elma devices.

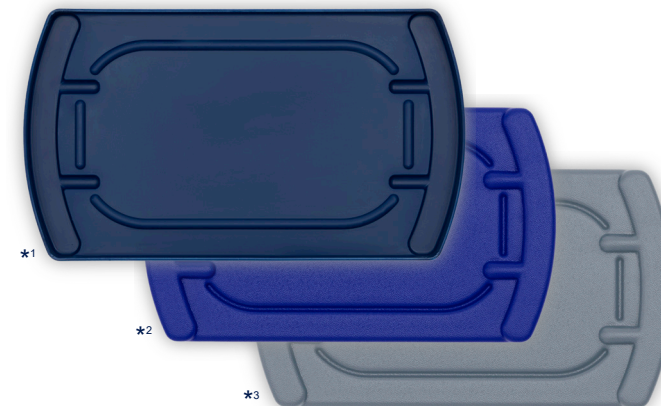
Product Information and Prices



Elmasonic Accessories - Covers

Plastic lid

- available in cobalt blue (RAL 5013)*¹, ultramarine blue (RAL 5002)*² and silver grey (RAL 7001)*³
- reduce the noise of the ultrasonic cleaning
- save energy and costs by collecting and recirculating evaporating water from the ultrasonic bath
- serve upside down as a drip tray for the basket and cleaned parts



	10	15	20	30	40	60	70	80	100	120	150	300	180	200
Order number cobalt blue (RAL 5013)* ¹				1101126		1101129		1110200	1101133		1101135		1101141	1106428
Order number ultramarine blue (RAL 5002)* ²	1003278	1003280		1003281		1003282		1003283	1003285		1003287		1003286	--
Order number silver grey (RAL 7001)* ³	1071693	1071694		1071695		1071696		1110202	1071697		1071699		1071698	--
List price	14,50 €	20,00 €		23,00 €		28,00 €		37,00 €	37,00 €		45,50 €		39,00 €	52,00 €
Ext. dimensions W / D / H (mm)	235 / 115 / 20	220 / 175 / 20		305 / 175 / 20		270 / 190 / 20		570 / 170 / 20	380 / 280 / 20		575 / 335 / 20		405 / 340 / 20	600 / 365 / 20
Suitable for	10	15	20	30	40	60	70	80	100	120	150	300	180	200
• Elmasonic Easy	•		•	•		•			•	•		•	•	
• Elmasonic Med				•		•			•	•		•	•	•
• Elmasonic Select				•	•	•		•	•	•	•	•	•	•
• Elmasonic S	•	•		•	•	•		•	•	•	•	•	•	•
• Elmasonic P				•		•	•		•	•		•	•	

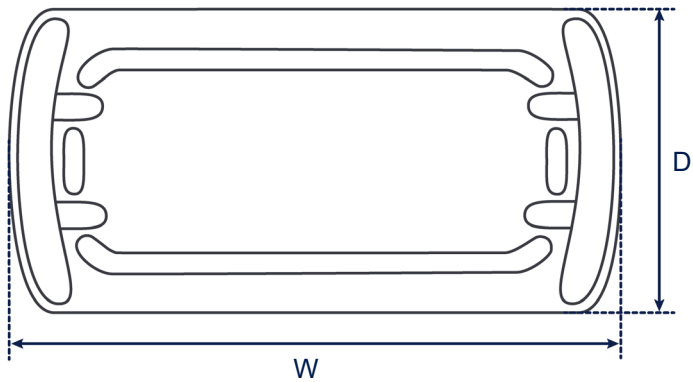
All prices ex works, excluding packaging.

Technical specifications serve as orientation values and are subject to tolerances due to production and manufacturing. Proper operation can only be guaranteed when using original Elma devices.

Elmasonic Accessories - Covers

Plastic lid

Dimension definition



The drawings are merely included as a visualization aid and are not true to scale.

Technical specifications serve as orientation values and are subject to tolerances due to production and manufacturing. Proper operation can only be guaranteed when using original Elma devices.

Elmasonic Accessory - Covers

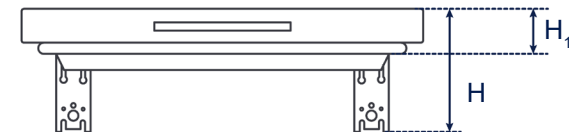
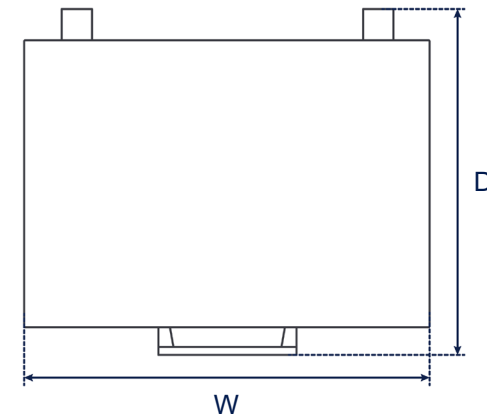
Noise protection covers

- reduce the noise of the ultrasonic cleaning by 40 % (500) and 54% (900)* and retain process vapours
- save energy and costs by reducing waste heat and collecting / recirculating the water vapour
- available as a retrofit kit for self-assembly and space-savngly attached to the ultrasonic device



	500	900
Order number	1100349	1100292
List price	455,00 €	670,00 €
External dimensions W / D / H (mm)	580 / 495 / 180	680 / 665 / 180
Height installed H ₁ (mm)	65	
Suitable for	500	900
• Elmasonic Med	•	•
• Elmasonic Select	•	•

Dimension definition



*Only when closed and without basket / load.

All prices ex works, excluding packaging.

The drawings are merely included as a visualization aid and are not true to scale.

Technical specifications serve as orientation values and are subject to tolerances due to production and manufacturing. Proper operation can only be guaranteed when using original Elma accessories.

Elmasonic Accessories - Holders and product carriers

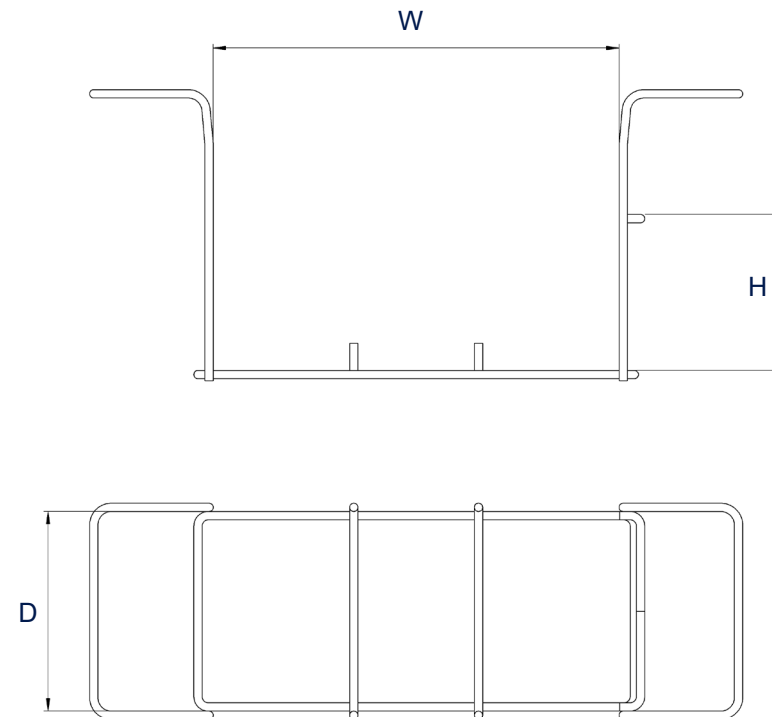
Equipment holder

- made of stainless steel and with Rilsan-coated handles
- for holding laboratory vessels e.g. glass flasks up to 1000ml



Order number	1049704
List price	66,00 €
Basket int. dimension W / D / H (mm)	195 / 95 / 75
Suitable for	
Elmasonic Med, Select, Easy, P	
60	1 x
120	2 x
180	2 x
300	4 x

Dimension definition



All prices ex works, excluding packaging.

The drawings are meant as a visualization aid and are not true to scale.

Technical specifications serve as orientation values and are subject to tolerances due to production and manufacturing. Proper operation can only be guaranteed when using original Elma Units.

Product Information and Prices



Elmasonic Accessories - Holders and product carriers

Test tube holder

- made of stainless steel
- for test tubes \varnothing 16 mm / \varnothing 25 mm



	30	40	60	80	100	120	150	180	200	300
Order number	1111973				1112084		1112123			
List price	65,00 €				86,00 €		100,00 €			
External dimensions W / D / H (mm)	200 / 90 / 95				300 / 90 / 95		360 / 90 / 95			
Height hangers H ₁ (mm)	70				70					
Diameter hole Dia (mm)	17				17 / 26					
Max. number of test tubes	16 x \varnothing 16 mm				8 x \varnothing 16 mm + 7 x \varnothing 25 mm					
Suitable for	30	40	60	80	100	120	150	180	200	300
• Elmasonic Easy	1 x	1 x	2 x	4 x	2 x	2 x		2 x		4 x
• Elmasonic Med	1 x		2 x	4 x	2 x	2 x		2 x	4 x	4 x
• Elmasonic Select	1 x	1 x	2 x	4 x	2 x	2 x	4 x	2 x		4 x
• Elmasonic S	1 x	1 x	2 x	4 x	2 x	2 x	4 x	2 x		4 x
• Elmasonic P	1 x		2 x	4 x		2 x		2 x		4 x

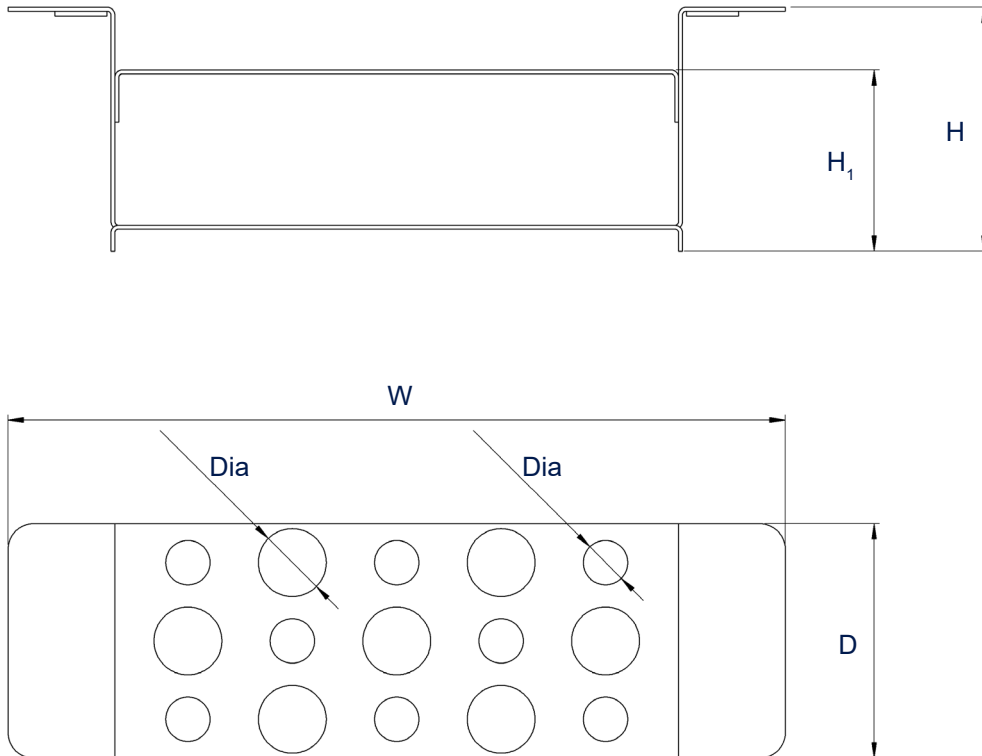
All prices ex works, excluding packaging.

Technical specifications serve as orientation values and are subject to tolerances due to production and manufacturing. Proper operation can only be guaranteed when using original Elma accessories.

Elmasonic Accessories - Holders and product carriers

Test tube holder

Dimension definition



Example of application



The drawings are meant as a visualization aid and are not true to scale.

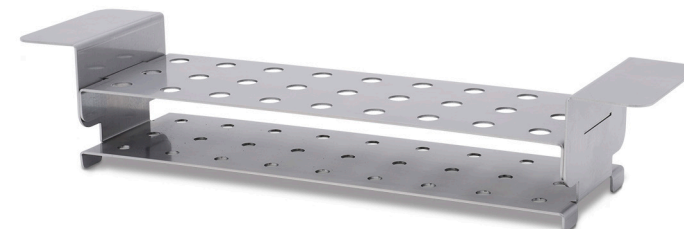
The parts shown are for illustration purposes only and are not included in the scope of delivery.

Technical specifications serve as orientation values and are subject to tolerances due to production and manufacturing. Proper operation can only be guaranteed when using original Elma accessories.

Elmasonic Accessories - Holders and product carriers

Holder for reaction tubes

- made of stainless steel
- for reaction tubes 1,5 oder 2 ml



	100	120	150	180	200	300
Order number	1112158		1112152			
List price	80,00 €		100,00 €			
External dimensions W / D / H (mm)	300 / 90 / 70		360 / 90 / 70			
Height hangers H ₁ (mm)	35					
Diameter hole Dia (mm)	11					
Suitable for	100	120	150	180	200	300
• Elmasonic Easy	2 x	2 x		2 x		4 x
• Elmasonic Med	2 x	2 x		2 x	4 x	4 x
• Elmasonic Select	2 x	2 x	4 x	2 x		4 x
• Elmasonic S	2 x	2 x	4 x	2 x		4 x
• Elmasonic P		2 x		2 x		4 x

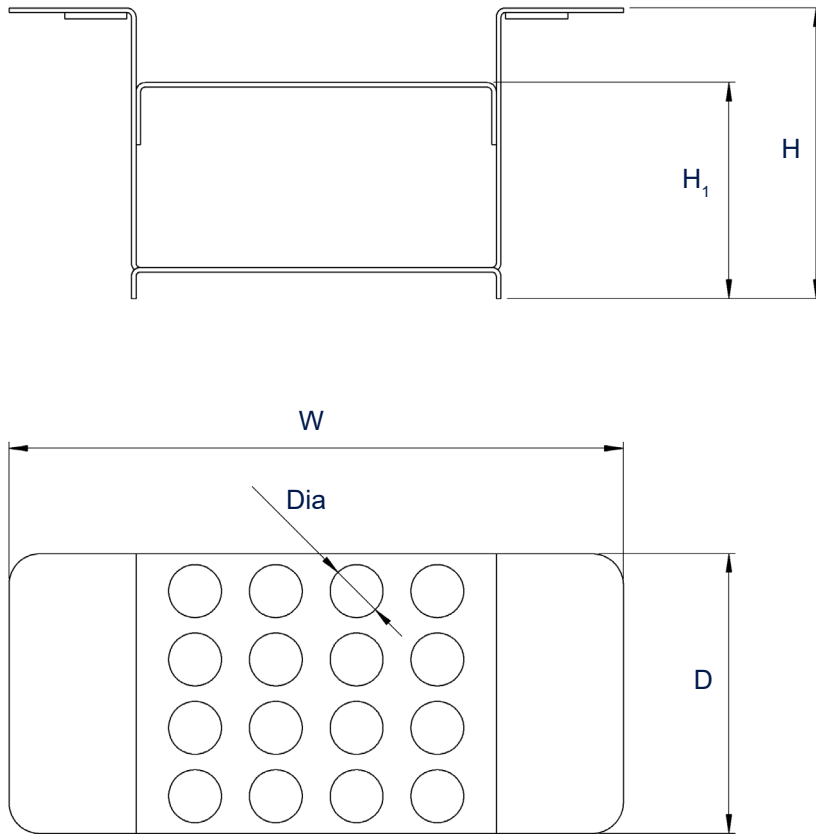
All prices ex works, excluding packaging.

Technical specifications serve as orientation values and are subject to tolerances due to production and manufacturing. Proper operation can only be guaranteed when using original Elma accessories.

Elmasonic Accessories - Holders and product carriers

Holder for reaction tubes

Dimension definition



Example of application



The drawings are meant as a visualization aid and are not true to scale.

The parts shown are for illustration purposes only and are not included in the scope of delivery.

Technical specifications serve as orientation values and are subject to tolerances due to production and manufacturing. Proper operation can only be guaranteed when using original Elma accessories.

Elmasonic Accessories - Holders and Product Carriers

Hooks holder

- with 10 hooks that can be flexibly attached
- for cleaning e.g. rings, chains, etc.
- plastic support surfaces to prevent scratching of the tray and the goods



Unit size	60	100	120	150	180	300
Order number	1117432					
List price	22,00 €					
Ext. dimension W / D / H (mm)	355 / 60 / 75					
Support height H ₁ (mm)	55					
Dimensions hooks Dia / D ₁ (mm)	1,7 / 55					
Max. length with 10 hooks W ₁ (mm)	250					
Suitable for	60	100	120	150	180	300
• Elmasonic Easy	1 x	2 x	2 x	5 x	4 x	5 x
• Elmasonic Med	1 x	2 x	2 x		4 x	5 x
• Elmasonic Select	1 x	2 x	2 x	5 x	4 x	5 x
• Elmasonic S	1 x	2 x	2 x	5 x	4 x	5 x
• Elmasonic P	1 x		2 x		4 x	5 x

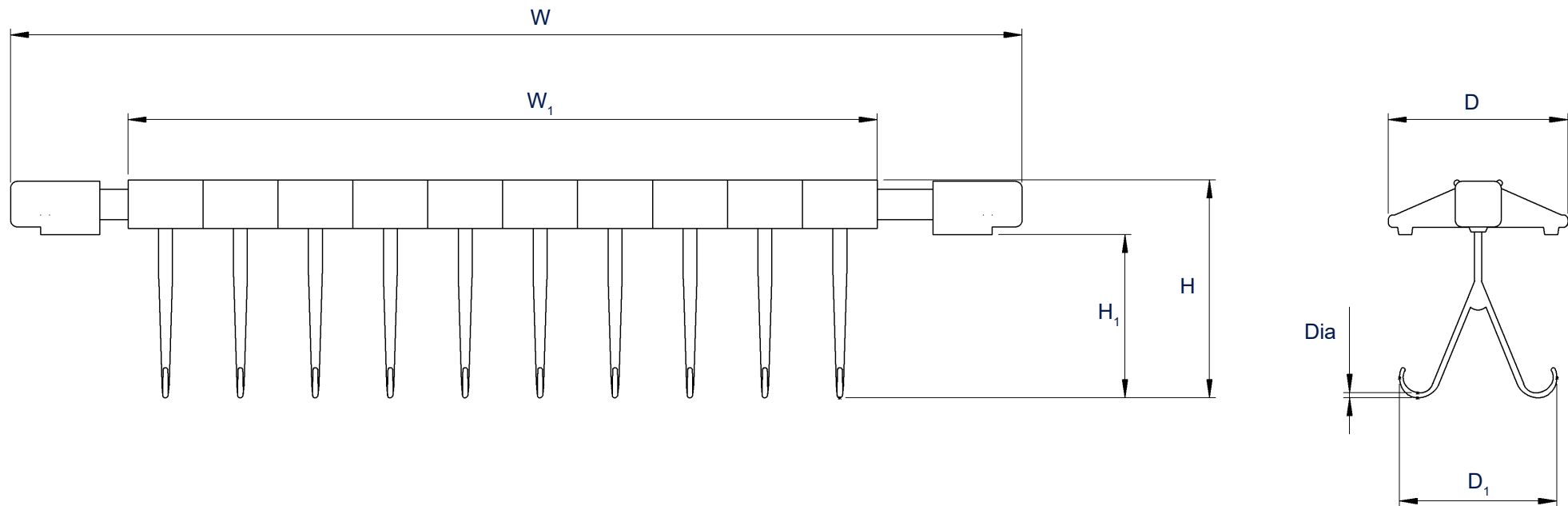
All prices ex works, excluding packaging.

Technical specifications serve as orientation values and are subject to tolerances due to production and manufacturing. Proper operation can only be guaranteed when using original Elma accessories.

Elmasonic Accessories - Holders and Product Carriers

Hooks holder

Dimension definition



The drawings are meant as a visualization aid and are not true to scale.

The parts shown are for illustration purposes only and are not included in the scope of delivery.

Technical specifications serve as orientation values and are subject to tolerances due to production and manufacturing. Proper operation can only be guaranteed when using original Elma devices.

Elmasonic Accessories - Holders and Product Carriers

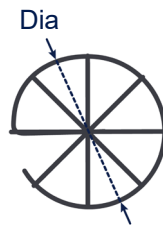
Ring stand

- made of stainless steel
- with 8 holding hooks



Order number	2070460000
List price	29,00 €
Dimensions Dia / H (mm)	80 / 160

Dimension definition



All prices ex works, excluding packaging.

The drawings are meant as a visualization aid and are not true to scale.

Technical specifications serve as orientation values and are subject to tolerances due to production and manufacturing. Proper operation can only be guaranteed when using original Elma devices.

Elmasonic Accessories - Holders and Product Carriers

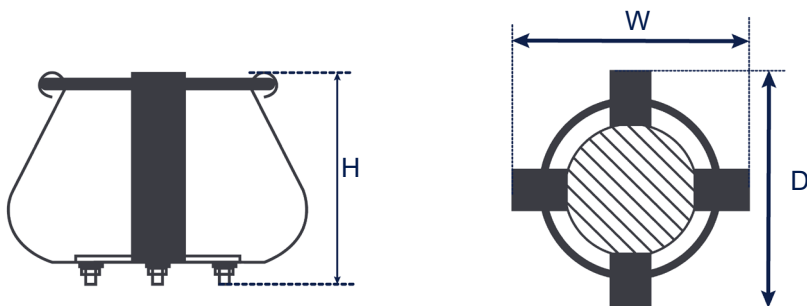
Holding clamps for Erlenmeyer flasks

- made of stainless steel
- for mounting on the bottom of a Elma cleaning basket
- the Erlenmeyer flask has a firm hold in the holding clamp due to the curved spring



	50 ml	250 ml	500 ml	1000 ml
Order number	1007553	1007555	1007557	1007558
List price	24,00 €	30,00 €	36,00 €	43,00 €
Ext. dimensions W / D / H (mm)	55 / 55 / 50	90 / 90 / 70	110 / 110 / 85	135 / 135 / 85

Dimension definition



All prices ex works, excluding packaging.

The drawings are meant as a visualization aid and are not true to scale.

Technical specifications serve as orientation values and are subject to tolerances due to production and manufacturing. Proper operation can only be guaranteed when using original Elma accessories.

Elmasonic Accessories - Holders and Product Carriers

Holding clamps for Erlenmeyer flasks

Number of Erlenmeyer- / shaking flasks with and without holding clamp in the Elma cleaning baskets

Erlenmeyer- / shaking flasks - without holder

Passend für Gerätegröße	30	40	60	80	100	120	150	180	300
50 ml (Ø 50 mm)	6 x	6 x	9 x	16 x	16 x	16 x	40 x	25 x	40 x
250 ml (Ø 85 mm)	2 x	2 x	3 x	5 x	6 x	6 x	15 x	9 x	15 x
500 ml (Ø 105 mm)	1 x	1 x	2 x	4 x	3 x	3 x	8 x	5 x	8 x
1000 ml (Ø 131 mm)	--	--	--	--	2 x	2 x	5 x	3 x	5 x

Erlenmeyer- / shaking flasks - with holder

Passend für Gerätegröße	30	40	60	80	100	120	150	180	300
50 ml (Ø 55 mm)	6 x	5 x	8 x	15 x	14 x	12 x	38 x	20 x	38 x
250 ml (Ø 90 mm)	2 x	2 x	3 x	5 x	5 x	5 x	14 x	8 x	14 x
500 ml (Ø 110 mm)	--	--	2 x	--	3 x	2 x	8 x	5 x	8 x
1000 ml (Ø 135 mm)	--	--	--	--	2 x	1 x	5 x	3 x	5 x

Lab bottles (Duran / Schott)

Passend für Gerätegröße	30	40	60	80	100	120	150	180	300
50 ml (Ø 46 mm)	6 x	6 x	9 x	16 x	16 x	16 x	40 x	25 x	40 x
250 ml (Ø 70 mm)	2 x	2 x	4 x	7 x	9 x	9 x	18 x	12 x	18 x
500 ml (Ø 86 mm)	2 x	2 x	3 x	5 x	6 x	5 x	14 x	8 x	14 x
1000 ml (Ø 101 mm)	1 x	1 x	2 x	4 x	4 x	3 x	9 x	5 x	9 x

Technical specifications serve as orientation values and are subject to tolerances due to production and manufacturing. Proper operation can only be guaranteed when using original Elma accessories.

Elmasonic Accessories - Holders and Product Carriers

Holding clamps for Erlenmeyer flasks

Example of application



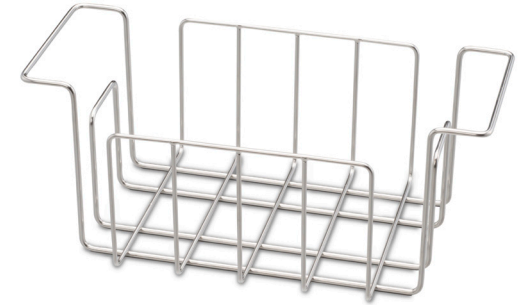
The parts shown are for illustration purposes only and are not included in the scope of delivery.

Technical specifications serve as orientation values and are subject to tolerances due to production and manufacturing. Proper operation can only be guaranteed when using original Elma devices.

Elmasonic Accessories - Holders and Product Carriers

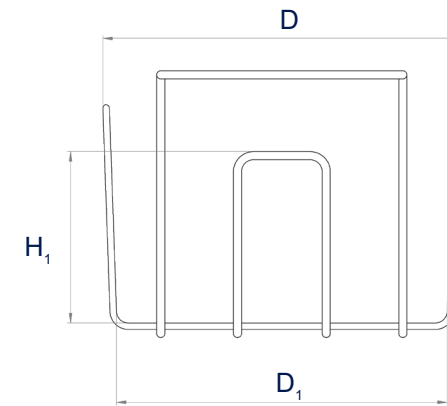
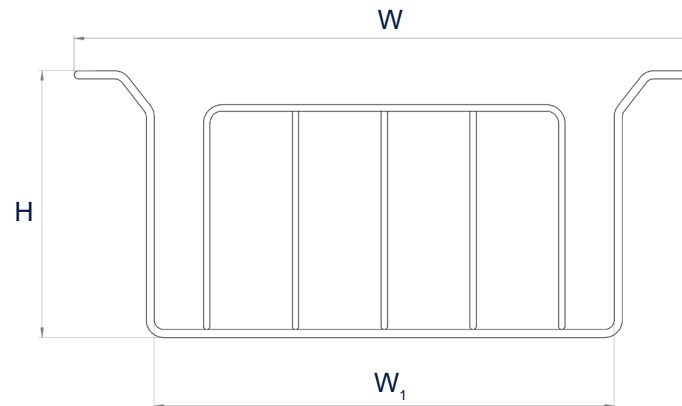
Dental-Tray holder

- made of stainless steel
- Holders for several dental trays 1 / 2 DIN and 3 / 4 DIN



	180
Order number	1104306
List price	170,00 €
Ext. dimensions W / D / H (mm)	385 / 225 / 165
Int. dimensions W ₁ / D ₁ / H ₁ (mm)	280 / 205 / 105
Suitable for	
• Elmasonic Med	•

Dimension definition



All prices ex works, excluding packaging.

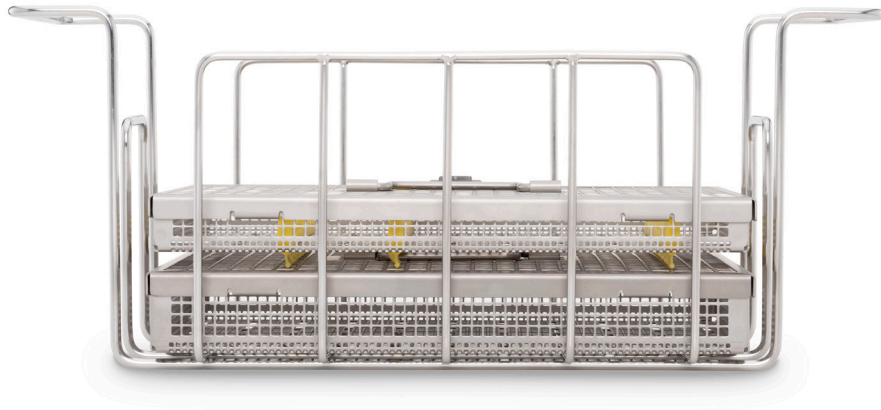
The drawings are meant as a visualization aid and are not true to scale.

Technical specifications serve as orientation values and are subject to tolerances due to production and manufacturing. Proper operation can only be guaranteed when using original Elma devices.

Elmasonic Accessories - Holders and Product Carriers

Dental-Tray holder

Example of application



The parts shown are for illustration purposes only and are not included in the scope of delivery.

Technical specifications serve as orientation values and are subject to tolerances due to production and manufacturing. Proper operation can only be guaranteed when using original Elma devices.

Elmasonic Zubehör - Inserts

Acid resistant insert tray

- for cleaning with acidic chemicals
- consist of deep-drawn polypropylene and are highly resistant to chemicals
- are hung directly into the ultrasonic unit, which is filled with little water (contact liquid) beforehand. The ultrasound is then transferred via the contact liquid into the insert tank filled with working liquid (e.g. acid)
- Lid included



	30	40	60	100	120	180	300	500
Order number	2070890000			2070900000		2070910000	2000008000	2070780000
List price	53,00 €			155,00 €		205,00 €	240,00 €	275,00 €
Tank ext. dim. W / D / H (mm)	300 / 200 / 115			365 / 305 / 170		390 / 370 / 215	570 / 365 / 215	530 / 325 / 205
Tank int. dim. W / D / H (mm)	195 / 95 / 110			250 / 190 / 165		270 / 245 / 210	440 / 240 / 210	480 / 275 / 200
Recom. op. capacity V _a (l)	1,3			5,8		11,0	19,0	18,3
Suitable for	30	40	60	100	120	180	300	500
• Elmasonic Easy	•	•	•	•	•	•	•	
• Elmasonic Med	•		•	•	•	•	•	•
• Elmasonic Select	•	•	•	•	•	•	•	•
• Elmasonic S	•	•	•	•	•	•	•	•
• Elmasonic P	•		•		•	•	•	

All prices ex works, excluding packaging.

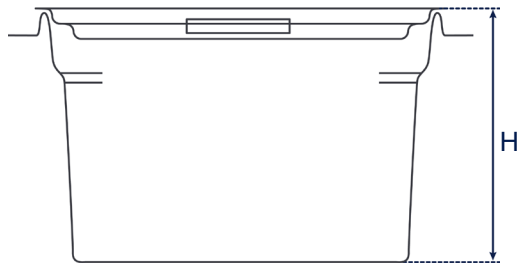
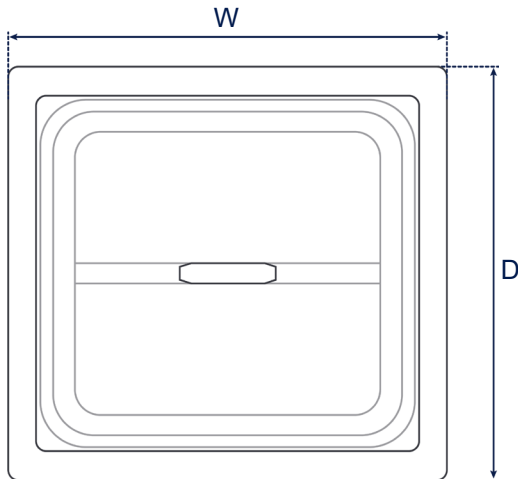
Technical specifications serve as orientation values and are subject to tolerances due to production and manufacturing. Proper operation can only be guaranteed when using original Elma accessories.

Elmasonic Accessory - Inserts

Acid resistant insert tray

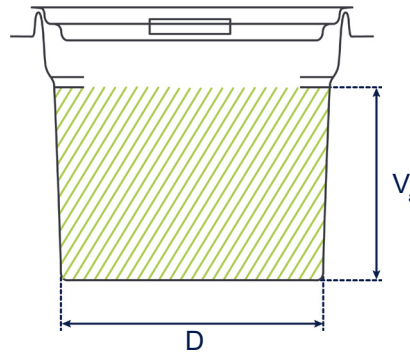
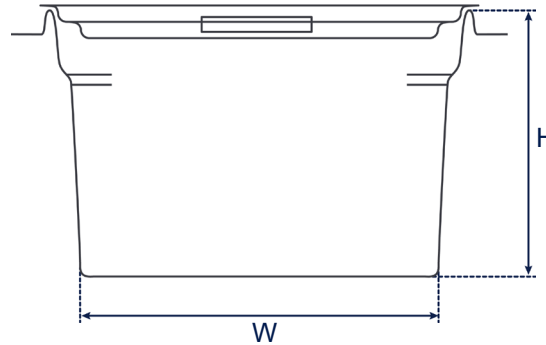
Dimension definition

Tank outer dimensions



Tank internal dimensions

V_a : recommended operating capacity of the cleaning tank
(The actual operating capacity depends on the load.)



The drawings are meant as a visualization aid and are not true to scale.

Technical specifications serve as orientation values and are subject to tolerances due to production and manufacturing. Proper operation can only be guaranteed when using original Elma accessories.

Elmasonic Accessories - Inserts

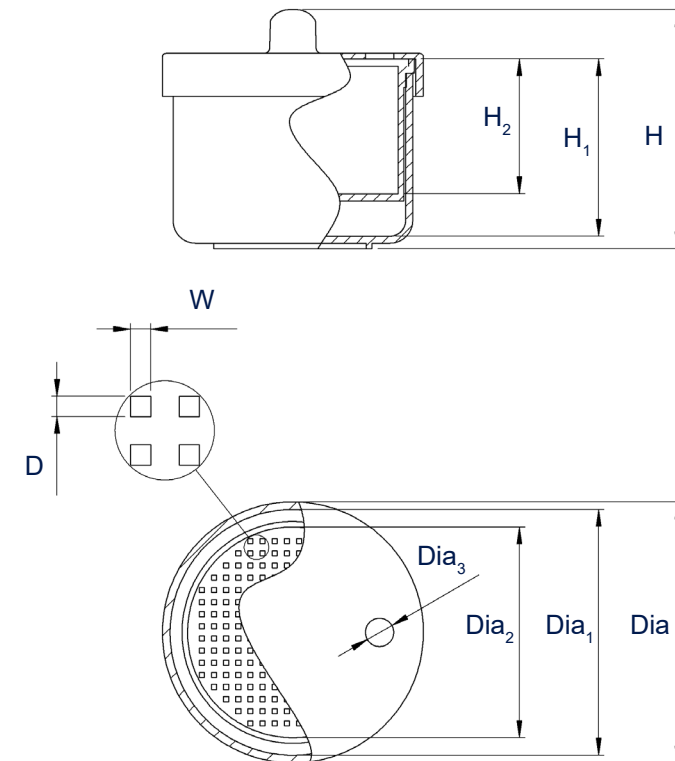
BD-Steribox

- made of plastic
- with opening in the lid
- with removable sieve for rinsing the contents
- for use in the ultrasonic bath placed directly in the basket or hung over an insert cover



Order number	1105991
List price	16,50 €
Ext. dimensions Dia / H (mm)	95 / 85
Int. dimensions Dia ₁ / H ₁ (mm)	75 / 55
Opening dimensions Cover Dia ₃ (mm)	10
Int. dimensions sieve Dia ₂ / H ₂ (mm)	70 / 45
Opening dimensions sieve bottom W / D (mm)	1,8 / 1,8
Capacity max. (ml)	300

Dimension definition



All prices ex works, excluding packaging.

The drawings are merely included as a visualization aid and are not true to scale.

Technical specifications serve as orientation values and are subject to tolerances due to production and manufacturing. Proper operation can only be guaranteed when using original Elma accessories.

Elmasonic Accessories - Inserts

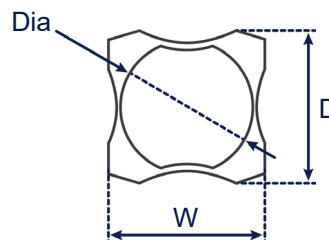
Cleaning cup

- made of plastic
- Lid included
- The cleaning cups can be
 - placed directly in the basket for ultrasonic cleaning devices size 10
 - or hung via an insert cover in the ultrasonic bath.



	Blue	White
Order number	2000001582	2000001581
List price	6,50 €	
Ext. dimensions W / D / H (mm)	95 / 90 / 55	
Diameter Dia (mm)	75	

Dimension definition



All prices ex works, excluding packaging, plus VAT.

The drawings are merely included as a visualization aid and are not true to scale.

Technical specifications serve as orientation values and are subject to tolerances due to production and manufacturing. Proper operation can only be guaranteed when using original Elma accessories.

Elmasonic Accessories - Inserts

Cleaning cup

Example of application



The parts shown are for illustration purposes only and are not included in the scope of delivery.

Technical specifications serve as orientation values and are subject to tolerances due to production and manufacturing. Proper operation can only be guaranteed when using original Elma Units.

Elmasonic Accessories - Inserts

Cleaning glasses

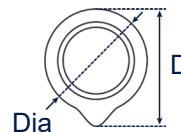
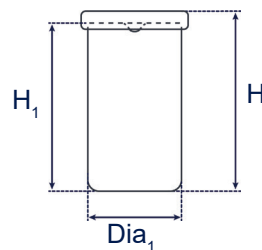
- can be used for simultaneous cleaning of parts with different chemicals, for removing abrasive substances or for cleaning with aggressive chemicals (e.g. acids or alkalis)
- can either be placed directly in a cleaning basket or in combination with an insert cover be hung in the ultrasonic bath
- Plastic lid and rubber ring included



	150 ml (without plastic cover)	600 ml	600 ml	1000 ml
Order number	1111834	1117632	1047272	1047376
List price	15,00 €	27,00 €	15,00 €	38,00 €
Glas with cover dimensions ext. Dia / H / D (mm)	80 / 85 / 95	100 / 155 / 110	110 / 135 / 125	110 / 185 / 125
Glas dimensions internal Dia ₁ / H ₁ (mm)	55 / 60	75 / 145	80 / 105	85 / 160
Rubber ring external diameter Dia _R (mm)	70		100	

Dimension definition

Cleaning glass
with plastic
cover



Rubber ring



All prices ex works, excluding packaging.

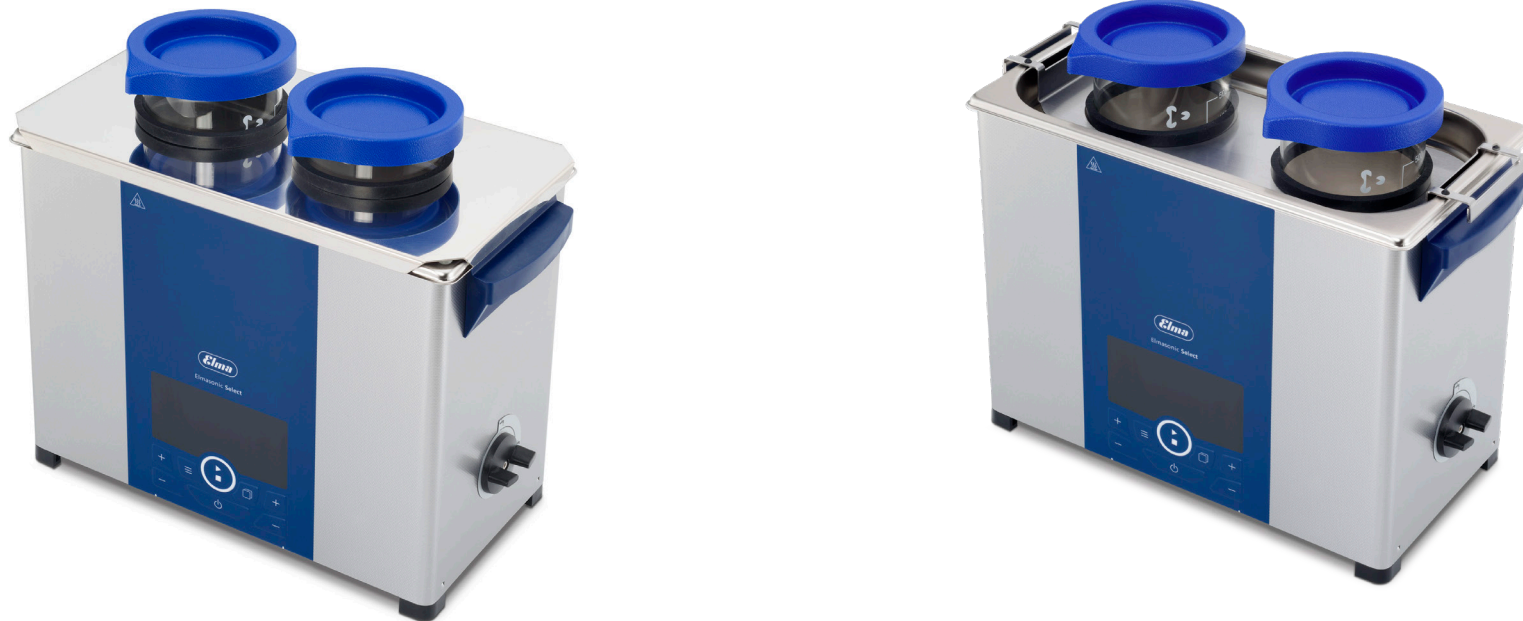
The drawings are meant as a visualization aid and are not true to scale.

Technical specifications serve as orientation values and are subject to tolerances due to production and manufacturing. Proper operation can only be guaranteed when using original Elma accessories.

Elmasonic Accessories - Inserts

Cleaning glasses

Example of application



The parts shown are for illustration purposes only and are not included in the scope of delivery.

Technical specifications serve as orientation values and are subject to tolerances due to production and manufacturing. Proper operation can only be guaranteed when using original Elma devices.

Elmasonic Accessories - Inserts

Insert cover

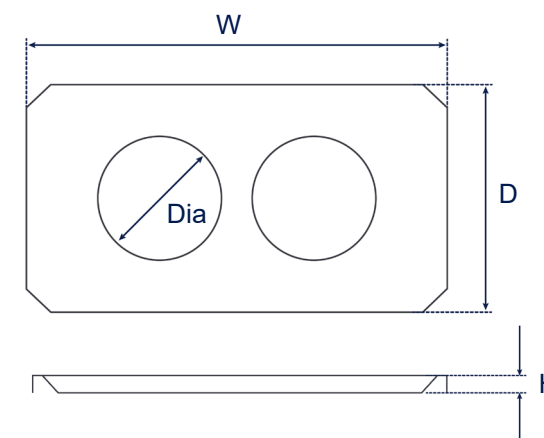
- made of stainless steel
- with 2 rubber rings
- to be placed on the ultrasonic cleaning device
- for 2 glasses or 2 cleaning cups



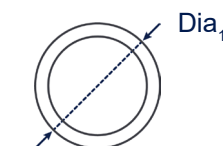
	10	30	40	80	100	120	60	150	180	300	
Order number	2070520000	2070300000					2070930000				
List price	30,00 €	32,00 €					38,00 €				
External dimensions W / D / H (mm)	210 / 105 / 10	270 / 170 / 15					330 / 180 / 15				
Diameter cover hole Dia (mm)	85	95									
External Diameter rubber ring Dia ₁ (mm)	100										
Suitable for	10	30	40	80	100	120	60	150	180	300	
• Elmasonic Easy	1 x	1 x	1 x		2 x	2 x	1 x		2 x	3 x	
• Elmasonic Med		1 x			2 x	2 x	1 x		2 x	3 x	
• Elmasonic Select		1 x	1 x	2 x	2 x	2 x	1 x	3 x	2 x	3 x	
• Elmasonic S	1 x	1 x	1 x	2 x	2 x	2 x	1 x	3 x	2 x	3 x	
• Elmasonic P		1 x				2 x	1 x		2 x	3 x	

Dimension definition

Insert cover



Rubber ring



All prices ex works, excluding packaging.

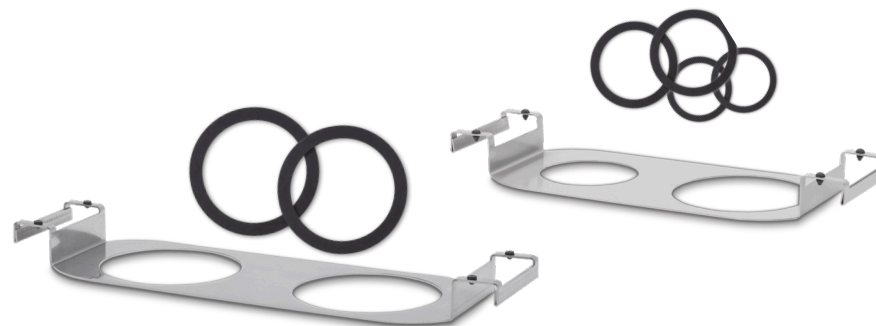
The drawings are meant as a visualization aid and are not true to scale.

Technical specifications serve as orientation values and are subject to tolerances due to production and manufacturing. Proper operation can only be guaranteed when using original Elma accessories.

Elmasonic Accessories - Inserts

Insert cover

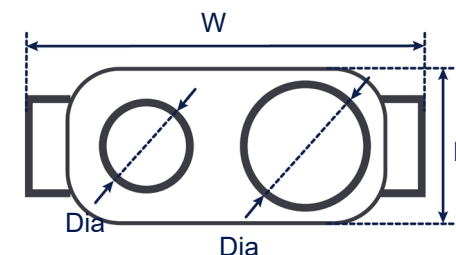
- made of stainless steel
- with 2 rubber rings
- for hanging in the ultrasonic bath
- for 2 glasses or 2 cleaning cups



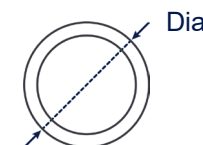
	30	40	60
Order number	1110262		1110261
List price	50,00 €		60,00 €
External dimensions W / D / H (mm)	285 / 110 / 35		350 / 110 / 35
Diameter cover hole Dia (mm)	65 / 90		95
External Diameter rubber ring Dia ₁ (mm)	70 / 95		100
Suitable for	30	40	60
• Elmasonic Easy	•	•	•
• Elmasonic Med	•		•
• Elmasonic Select	•	•	•
• Elmasonic S	•	•	•
• Elmasonic P	•		•

Dimension definition

Insert cover



Rubber ring



All prices ex works, excluding packaging.

The drawings are meant as a visualization aid and are not true to scale.

Technical specifications serve as orientation values and are subject to tolerances due to production and manufacturing. Proper operation can only be guaranteed when using original Elma accessories.

Elmasonic Accessories - Inserts

Insert cover

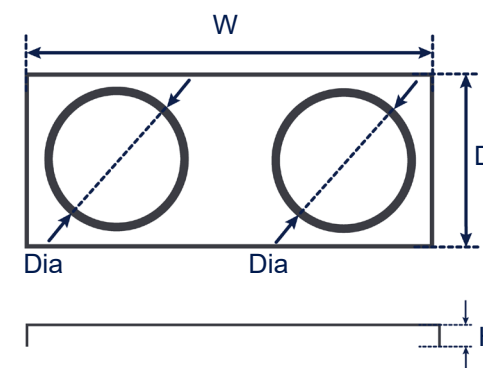
- made of stainless steel
- with 2 rubber rings
- for hanging in the cleaning basket
- for 2 glasses or 2 cleaning cups



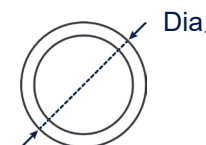
	150	180	300
Order number	1110260		
List price	60,00 €		
External dimensions W / D / H (mm)	260 / 110 / 20		
Diameter cover hole Dia (mm)	95		
External Diameter rubber ring Dia ₁ (mm)	100		
Suitable for	150	180	300
• Elmasonic Easy		2 x	3 x
• Elmasonic Med		2 x	3 x
• Elmasonic Select	3 x	2 x	3 x
• Elmasonic S	3 x	2 x	3 x
• Elmasonic P		2 x	3 x

Dimension definition

Insert cover



Rubber ring



All prices ex works, excluding packaging.

The drawings are meant as a visualization aid and are not true to scale.

Technical specifications serve as orientation values and are subject to tolerances due to production and manufacturing. Proper operation can only be guaranteed when using original Elma accessories.

Elmasonic Accessories - Inserts

Insert cover

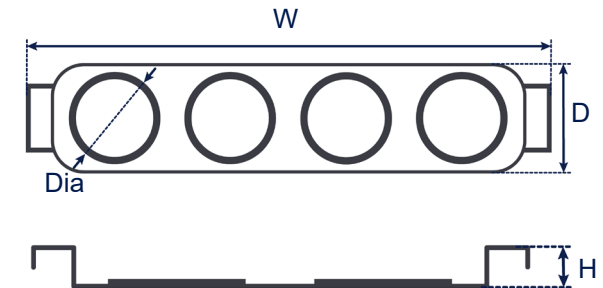
- made of stainless steel
- with 4 rubber rings
- for hanging in the ultrasonic bath
- for 4 glasses or 4 cleaning cups



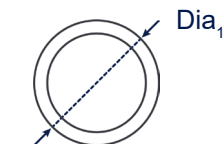
	80
Order number	1111906
List price	90,00 €
External dimensions W / D / H (mm)	550 / 130 / 40
Diameter cover hole Dia (mm)	95
External Diameter rubber ring Dia ₁ (mm)	100
Suitable for	80
• Elmasonic Select	•
• Elmasonic S	•

Dimension definition

Insert cover



Rubber ring



All prices ex works, excluding packaging.

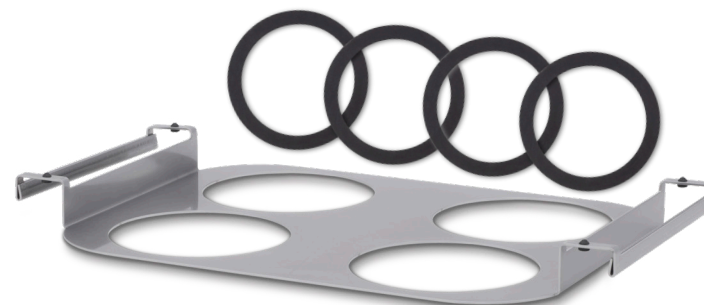
The drawings are meant as a visualization aid and are not true to scale.

Technical specifications serve as orientation values and are subject to tolerances due to production and manufacturing. Proper operation can only be guaranteed when using original Elma accessories.

Elmasonic Accessories - Inserts

Insert cover

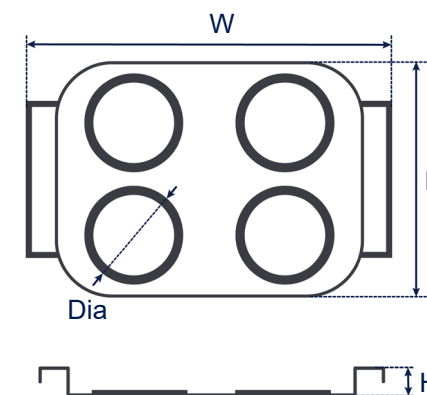
- made of stainless steel
- with 4 rubber rings
- for hanging in the ultrasonic bath
- for 4 glasses or 4 cleaning cups



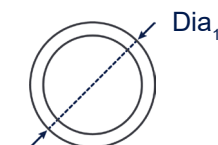
	100	120	180
Order number	1111909		1111921
List price	60,00 €		80,00 €
External dimensions W / D / H (mm)	350 / 230 / 40		380 / 20 / 35
Diameter cover hole Dia (mm)	95		
External Diameter rubber ring Dia ₁ (mm)	100		
Suitable for	100	120	180
• Elmasonic Easy	•	•	•
• Elmasonic Med	•	•	•
• Elmasonic Select	•	•	•
• Elmasonic S	•	•	•
• Elmasonic P	•	•	•

Dimension definition

Insert cover



Rubber ring



All prices ex works, excluding packaging.

The drawings are meant as a visualization aid and are not true to scale.

Technical specifications serve as orientation values and are subject to tolerances due to production and manufacturing. Proper operation can only be guaranteed when using original Elma accessories.

Elmasonic Accessories - Inserts

Insert cover

Example of application



The parts shown are for illustration purposes only and are not included in the scope of delivery.

Technical specifications serve as orientation values and are subject to tolerances due to production and manufacturing. Proper operation can only be guaranteed when using original Elma devices.

Elmasonic Accessories - Inserts

Immersion baskets

- made of plastic and stainless steel
- can - depending on the device size:
 - be hung individually or several times in the ultrasonic bath,
 - be placed individually or several times in a cleaning basket or
 - be immersed individually in a cleaning glass



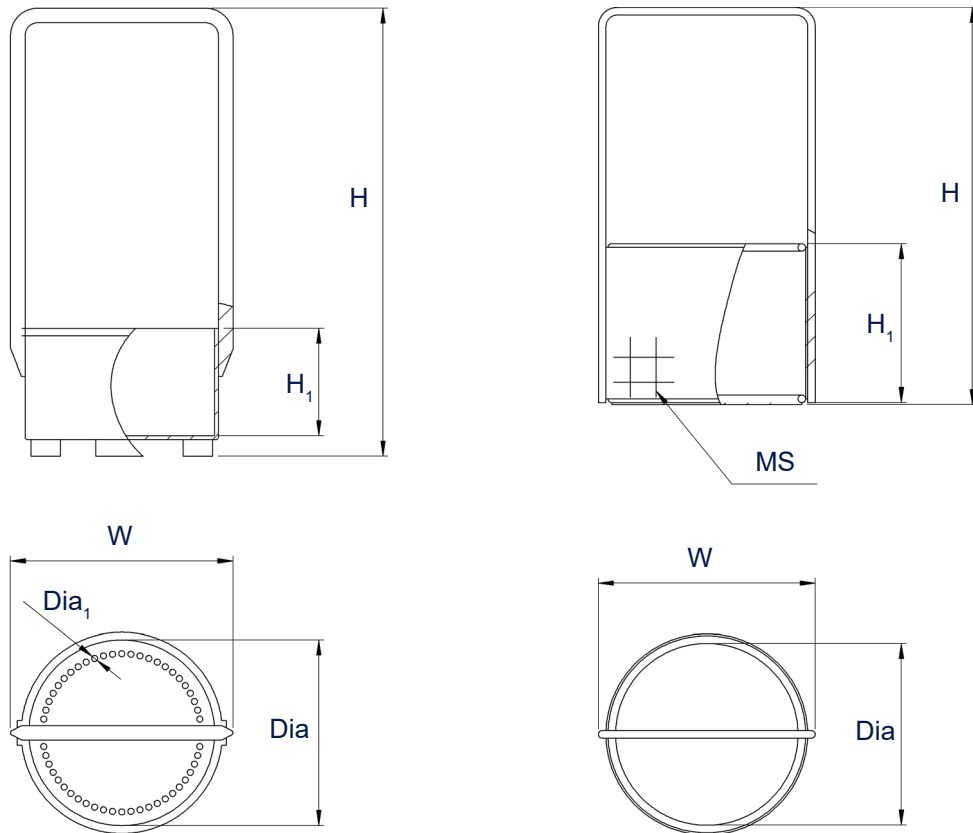
Order number	2070380000	1117636	2070540000	1116797	1007545
List price	16,00 €	54,00 €	51,00 €	45,00 €	65,00 €
Ext. dim. W / H (mm)	90 / 180	55 / 75	75 / 140	85 / 105	90 / 160
Int. dim. Dia / H ₁ (mm)	70 / 40	45 / 30	55 / 60	65 / 60	70 / 60
Material	plastic	stainless steel			
Diameter Dia ₁ / Mesh size (mm)	2,4	1x1x0,5			
Suitable for cleaning glass	1000 ml (1047376)	150 ml (1111834)	600 ml slim / high (1117632)	600 ml wide / low (1047272)	1000 ml (1047376)

All prices ex works, excluding packaging.

Technical specifications serve as orientation values and are subject to tolerances due to production and manufacturing. Proper operation can only be guaranteed when using original Elma accessories.

Elmasonic Accessories - Inserts

Dimension definition



Example of application



The drawings are meant as a visualization aid and are not true to scale.

The parts shown are for illustration purposes only and are not included in the scope of delivery.

Technical specifications serve as orientation values and are subject to tolerances due to production and manufacturing. Proper operation can only be guaranteed when using original Elma devices.

Elmasonic Accessories - Inserts

Hostal tub

- for cleaning of smallest parts
- protects sensitive parts from damage



	Small		Big	Big with long temples
Order number	2070390000		207040000	2070600000
List price	19,00 €		22,00 €	25,00 €
Ext. dimension W / D / H (mm)	185 / 105 / 95		280 / 105 / 100	280 / 105 / 125
Int. dimension W ₁ / D ₁ / H ₁ (mm)	90 / 90 / 55		195 / 90 / 55	
Hole diameter Dia (mm)	2			
Suitable for	15	20	30	40
• Elmasonic Easy		•	•	•
• Elmasonic Med			•	
• Elmasonic Select			•	•
• Elmasonic S	•		•	
• Elmasonic P			•	

All prices ex works, excluding packaging.

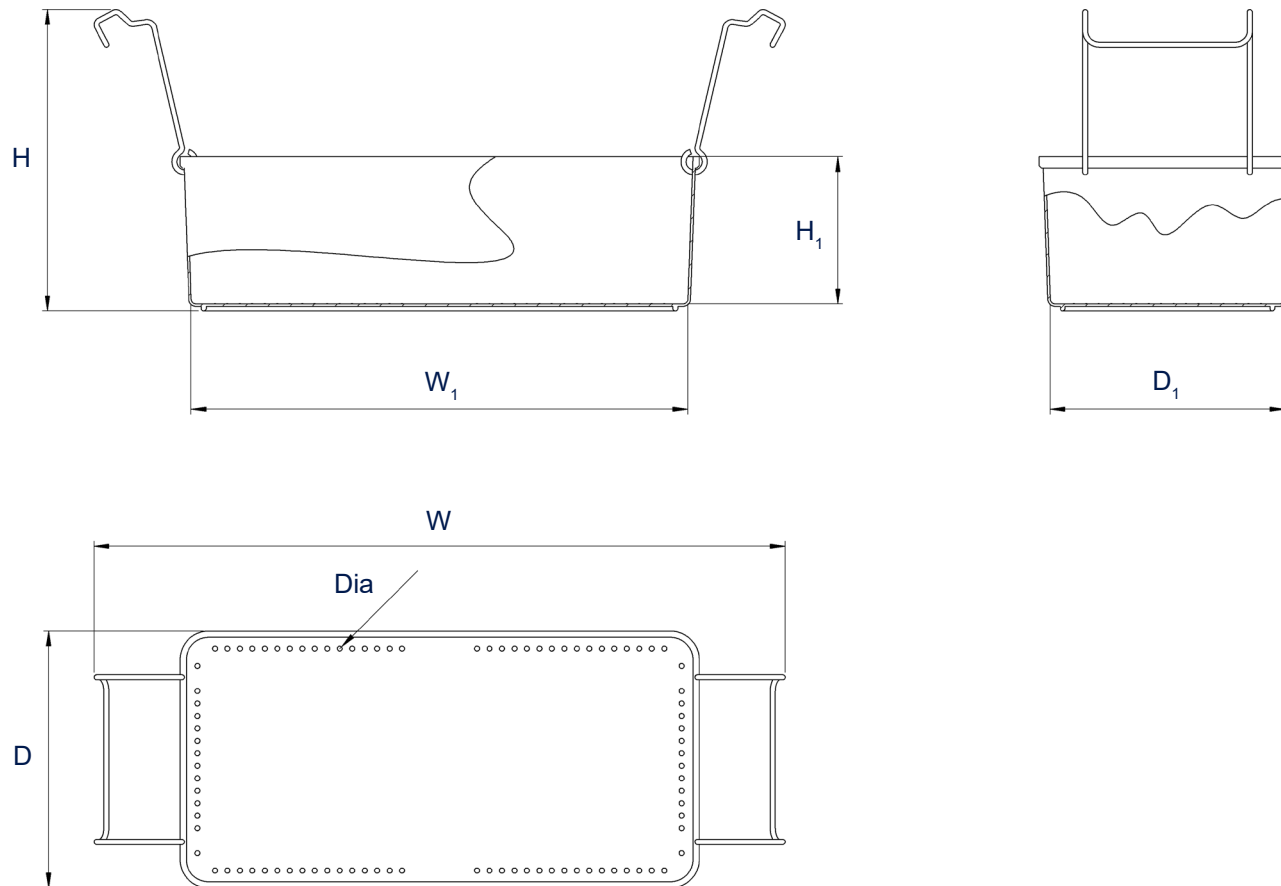
The drawings are merely included as a visualization aid and are not true to scale.

Technical specifications serve as orientation values and are subject to tolerances due to production and manufacturing. Proper operation can only be guaranteed when using original Elma Units.

Elmasonic Accessories - Inserts

Hostal tub

Dimension definition



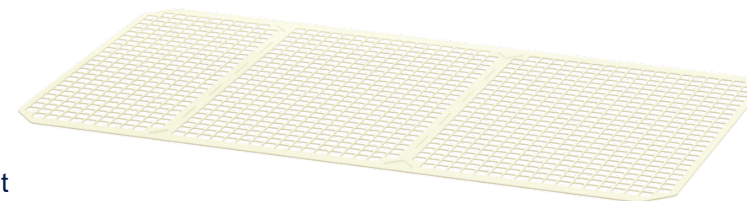
The drawings are merely included as a visualization aid and are not true to scale.

Technical specifications serve as orientation values and are subject to tolerances due to production and manufacturing. Proper operation can only be guaranteed when using original Elma Units.

Elmasonic Accessory - Inserts

Silicone mats

- to be placed into the basket for sensitive parts protection
- The silicone mats with order number S 1082378 and 1117991 must be cut accordingly for the different basket sizes (see cutting guide)
- the silicone mat with order number 1082379 is not cut to size



	30	60	100	120	150	180	300	300	450	500	600	800	900
Order number	1082379	1082378						1117991					
List price	20,00 €	40,00 €						108,00 €					
Ext. Dimensions W / D / H (mm)	193 / 100 / 1	450 / 245 / 1						560 / 460 / 1					
Mesh size Y x Z (mm)	5,5 x 1	7,5 x 1						7,5 x 1,5					
Suitable for	30	60	100	120	150	180	300	300	450	500	600	800	900
• Elmasonic Easy	•	•	•	•		•	•						
• Elmasonic Med	•	•	•	•		•	•			•			•
• Elmasonic Select	•	•	•	•	•	•	•			•			•
• Elmasonic S	•	•	•	•	•	•	•		•				•
• Elmasonic P	•	•	•	•		•	•						
• Elmadry TD	•			•			•						
• Elmasonic xtra ST								•		•	•	•	

All prices ex works, excluding packaging.

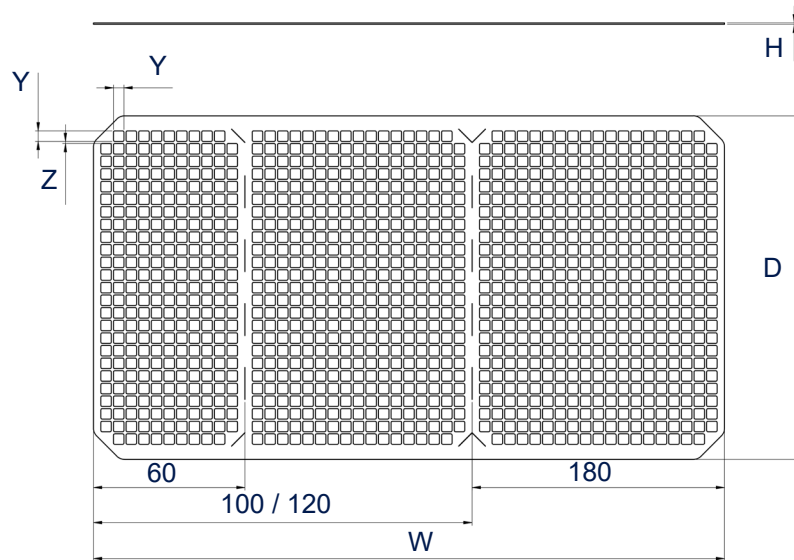
Technical specifications serve as orientation values and are subject to tolerances due to production and manufacturing. Proper operation can only be guaranteed when using original Elma accessories.

Elmasonic Accessory - Inserts

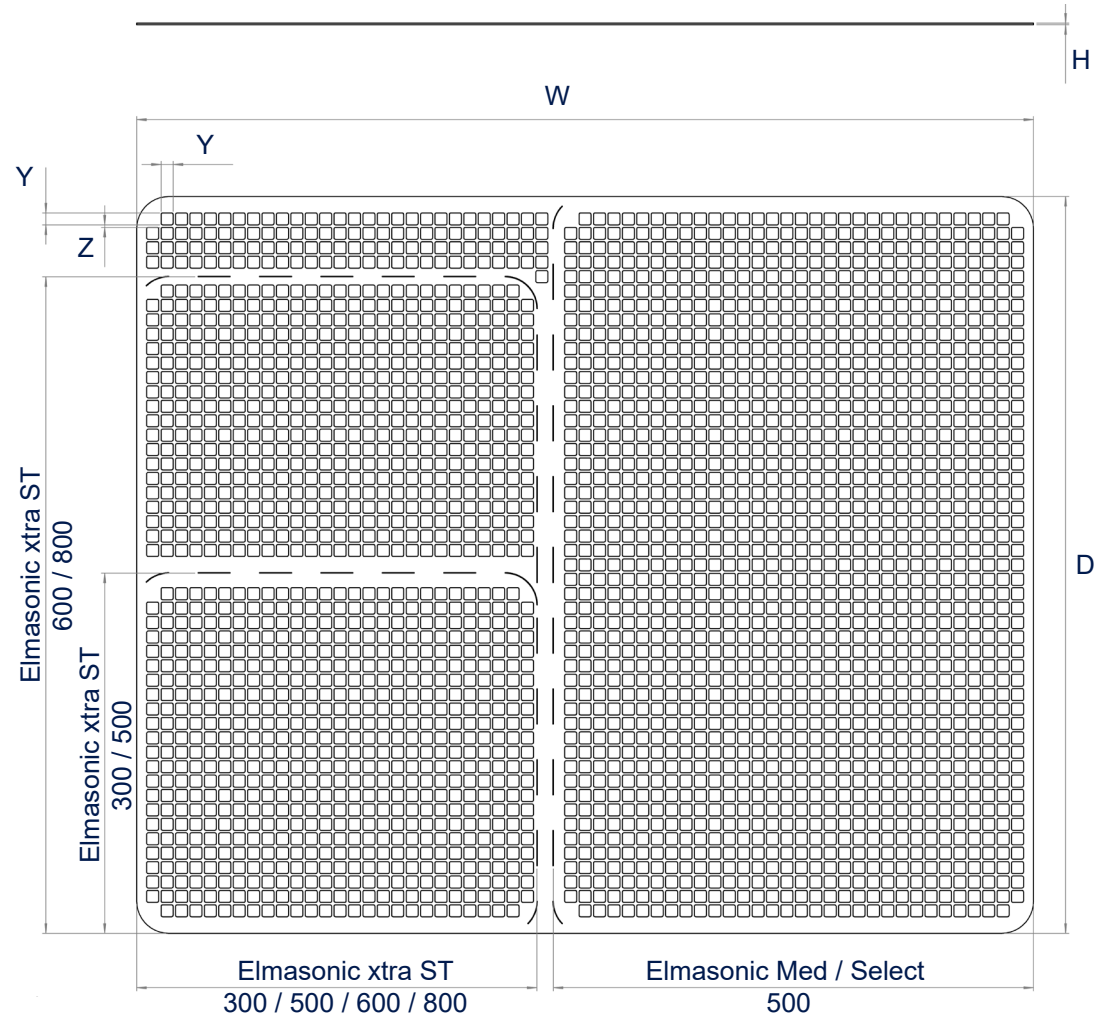
Silicone mats

Dimension definition and cutting guide

Order number 1082378



Order number 1117991



The drawings are meant as a visualization aid and are not true to scale.

Technical specifications serve as orientation values and are subject to tolerances due to production and manufacturing. Proper operation can only be guaranteed when using original Elma accessories.

Elmasonic Accessories - Inserts

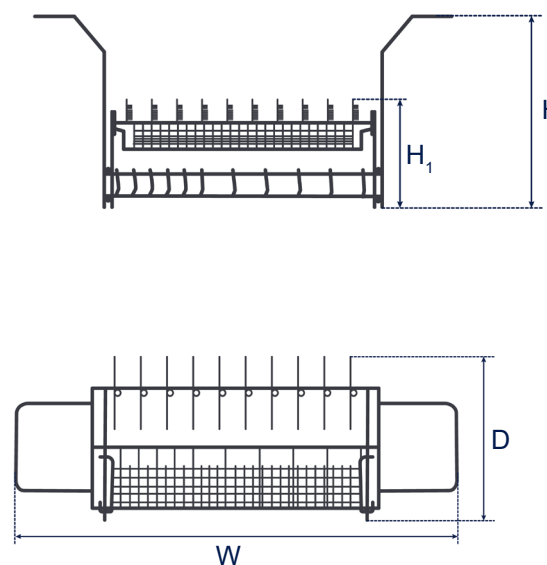
Small parts holder

- made of stainless steel and Rislan coating to protect delicate parts
- with 10 double hangers, 10 compartments and a subdivided, removable small basket insert (5 compartments à 30x25 mm)



	30	40	60	100	120
Order number	1032059				
List price	240,00 €				
External dimensions W / D / H (mm)	305 / 115 / 140				
Height hangers H ₁ (mm)	75				
Suitable for	30	40	60	100	120
• Elmasonic Easy	1 x	1 x	1 x	2 x	2 x
• Elmasonic Med	1 x		1 x	2 x	2 x
• Elmasonic Select	1 x	1 x	1 x	2 x	2 x
• Elmasonic S	1 x	1 x	1 x	2 x	2 x
• Elmasonic P	1 x		1 x	2 x	2 x

Dimension definition



All prices ex works, excluding packaging.

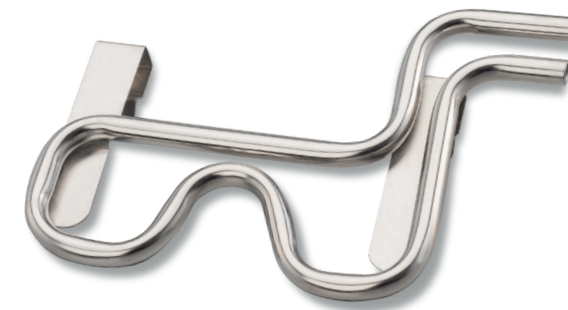
The drawings are meant as a visualization aid and are not true to scale.

Technical specifications serve as orientation values and are subject to tolerances due to production and manufacturing. Proper operation can only be guaranteed when using original Elma accessories.

Elmasonic Accessories - Practicals

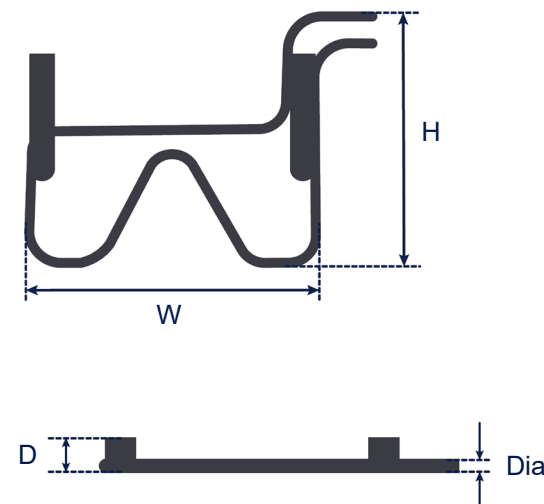
Cooling coil

- made of stainless steel
- for connection to a closed-circuit recirculating chiller (cryostat)
- for reducing or stabilising the process temperature in the ultrasonic bath
- use of several cooling coils in combination is possible
- optimal for thermostable processes



	40	70	150	60	80	100	120	130	180	300
Order number	1038735			1037515						
List price	250,00 €			250,00 €						
External dimensions W / D / H (mm)	180 / 25 / 130			200 / 25 / 175						
Outer diameter Dia (mm)	10									
Suitable for	40	70	150	60	80	100	120	130	180	300
• Elmasonic Easy	•			•		•	•		•	•
• Elmasonic Med				•		•	•		•	•
• Elmasonic Select	•		•	•	•	•	•		•	•
• Elmasonic S	•	•	•	•	•	•	•	•	•	•
• Elmasonic P		•		•			•		•	•

Dimension definition



All prices ex works, excluding packaging.

The drawings are meant as a visualization aid and are not true to scale.

Technical specifications serve as orientation values and are subject to tolerances due to production and manufacturing. Proper operation can only be guaranteed when using original Elma accessories.

Elmasonic Accessories - Practicals

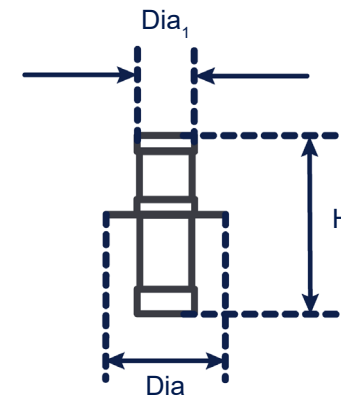
Drain sieve

- made of stainless steel
- for use in the drain of an Elmasonic ultrasonic device of size 30 to 300
- dirt particles ≥ 0.15 mm are caught in the wire mesh of the drain strainer and thus cannot clog the water drain
- Smallest parts ≥ 0.15 mm are caught with the drain sieve



Order number	1045648
List price	18,00 €
Dimensions ext. Dia / H (mm)	21 / 35
Diameter sieve Dia ₁ (mm)	10
Mesh size wire mesh (mm)	0,15 x 0,15

Dimension definition



All prices ex works, excluding packaging.

The drawings are meant as a visualization aid and are not true to scale.

Technical specifications serve as orientation values and are subject to tolerances due to production and manufacturing. Proper operation can only be guaranteed when using original Elma accessories.

Elmasonic Accessories - Practicals

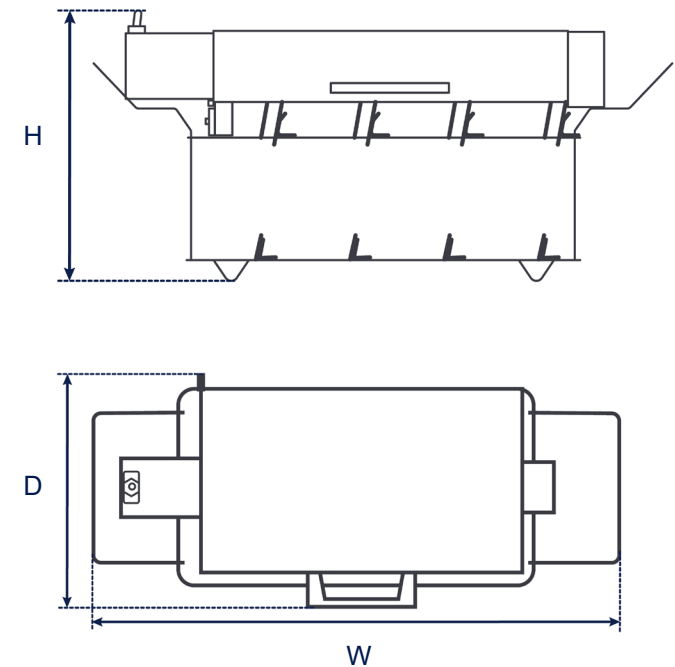
Sieve cleaning module SRH 4 / 200

- made of stainless steel and with integrated rotating unit
- up to 4 test sieves [Ø up to 200 / 203 mm (8")] can be cleaned simultaneously in the ultrasonic bath with the SRH 4 / 200. The inclined position of the sieves in the SRH 4 / 200 ensures a better cleaning and rinsing effect
- for gentle cleaning of the test sieves without changing the mesh size or fabric tension. This ensures that the dimensional accuracy and calibration of the sieves is maintained 100 %



	300	450	500	900
Order number 230V	1042706			
Order number 115V	1044904			
List price	1.565,00 €			
Dimensions W / D / H	675 / 295 / 330			
Weight (kg)	6,8			
Suitable for	300	450	500	900
• Elmasonic Easy	1 x			
• Elmasonic Med	1 x			
• Elmasonic Select	1 x	1 x		2 x
• Elmasonic S	1 x		1 x	2 x
• Elmasonic P	1 x			

Dimension definition



All prices ex works, excluding packaging.

The drawings are meant as a visualization aid and are not true to scale.

Technical specifications serve as orientation values and are subject to tolerances due to production and manufacturing. Proper operation can only be guaranteed when using original Elma devices.

Elmasonic Accessories - Practicals

Sieve cleaning module SRH 4 / 200

Example of application



The parts shown are for illustration purposes only and are not included in the scope of delivery.

Technical specifications serve as orientation values and are subject to tolerances due to production and manufacturing. Proper operation can only be guaranteed when using original Elma devices.

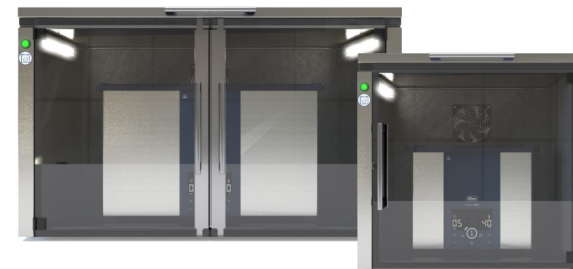
Elmasonic Accessory - Elma Mutebox

Noise protection box

- Noise of the ultrasonic cleaning unit operated in the mute box is reduced by max. 85
- vapors are exhausted via a silenced drain, so that no heat or moisture builds up inside the box
build-up of moisture inside the box
- laterally arranged halogen lamps
- Stainless steel jacket
- Product contents:

Elma Mutebox ML: 1x Elma Mutebox ML, 1x Bottom tray with gland plate, 1x Power supply unit, 1x Manual

Elma Mutebox XL: 1x Elma Mutebox XL, 2x Bottom tray with gland plate, 1x splash plate, 1x Power supply unit, 1x Manual



Ultrasonic devices not included in the scope of delivery

Unit size	10	20	30	40	60	100	120	180	70	80	150	200	300
Size	ML								XL				
Order number	1111901								1123006				
List price	930,00 €								1090,00 €				
Suitable for unit size	10	20	30	40	60	100	120	180	70	80	150	200	300
• Elmasonic Easy	•	•	•	•	•	•	•	•					•
• Elmasonic Med			•		•	•	•	•				•	•
• Elmasonic Select			•	•	•	•	•	•		•	•		•
• Elmasonic P			•		•		•	•	•				•
• Elmasonic xtra TT			•		•		•					•	

All prices ex works, excluding packaging.

Elmasonic device in the picture is for illustration only and is not included in the price.

Technical specifications serve as orientation values and are subject to tolerances due to production and manufacturing. Proper operation can only be guaranteed when using original Elma accessories.

Elmasonic Accessory - Elma Mutebox

Noise protection box

Technical Data

Unit size	10	20	30	40	60	100	120	180	70	80	150	200	300
Ext. Dimensions W / D / H (mm) (Lid and door closed)	545 / 530 / 525								860 / 605 / 525				
Ext. Dimensions W ₁ / D ₁ / H ₁ (mm) (Lid and door open)	555 / 975 / 1015								860 / 975 / 1085				
Int. Dimensions W ₂ / D ₂ / H ₂ (mm)	430 / 380 / 445								710 / 450 / 445				
Weight (kg)	18,9								26,2				
Mains voltage (V~)	100 - 240												

All prices ex works, excluding packaging.

Elmasonic device in the picture is for illustration only and is not included in the price.

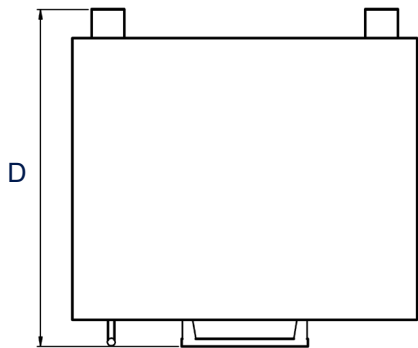
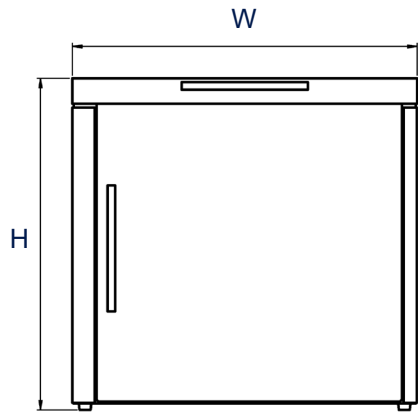
Technical specifications serve as orientation values and are subject to tolerances due to production and manufacturing. Proper operation can only be guaranteed when using original Elma accessories.

Elmasonic Accessory - Elma Mutebox

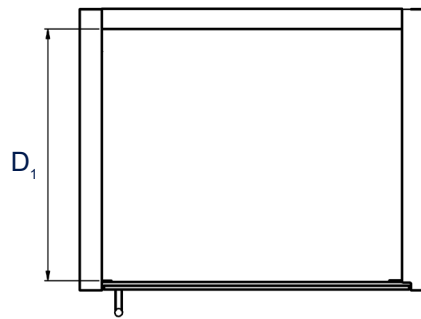
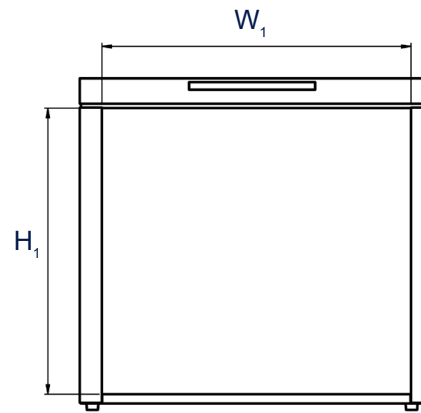
Noise protection box

Dimension definition

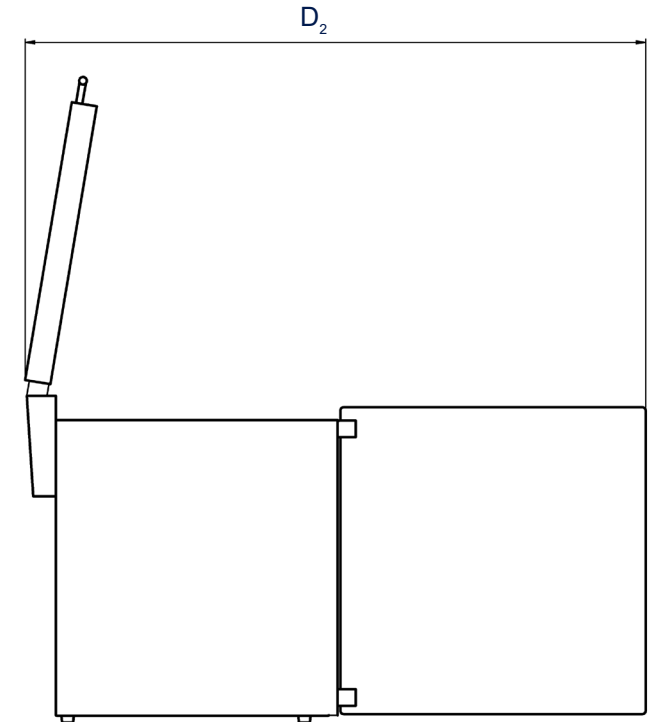
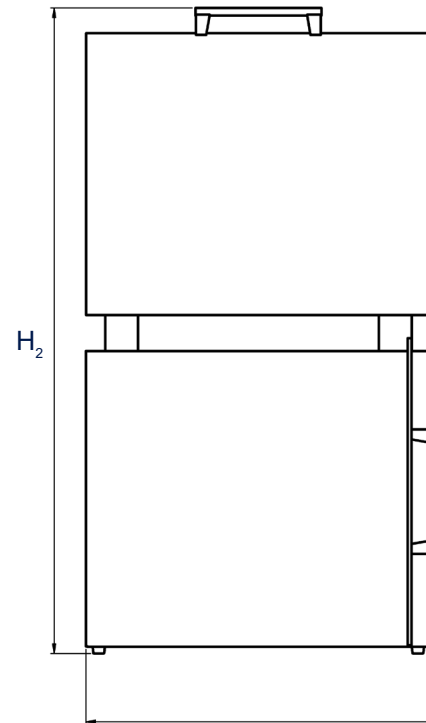
External dimensions
(Lid and door closed)



Internal dimensions



External dimensions
(Lid and door opened)



The drawings are meant as a visualization aid and are not true to scale.

Technical specifications serve as orientation values and are subject to tolerances due to production and manufacturing. Proper operation can only be guaranteed when using original Elma accessories.

Elmasonic Accessory - Elma Sink

Rinsing device

- for immersion rinsing or rinsing off objects
- Stainless steel tub
- Elma Sink L and XL are equipped with a drain
- the bath sizes are uniform to Elmasonic Easy, Med, Select and P
- Product contents:
 - Elma Sink S & M: 1x Elma Sink S or M, 1x Operating and installation instructions
 - Elma Sink L & XL: 1x Elma Sink L or XL, 1x Embout de tuyau
1x Collier de serrage, 1x Operating and installation instructions



Unit size	S	M	L	XL
Order number	1113839	1113840	1113841	1113843
List price	90,00 €	180,00 €	280,00 €	340,00 €
Tub size	40	60	180	300
passende Korbgröße				
20		2 x		
30	1 x			
40	1 x			
60		1 x	2 x	4 x
80			1 x	2 x
100				2 x
120			1 x	2 x
150				1 x
180			1 x	1 x
300				1 x

All prices ex works, excluding packaging.

Technical specifications serve as orientation values and are subject to tolerances due to production and manufacturing. Proper operation can only be guaranteed when using original Elma accessories.

Elmasonic Accessory - Elma Sink

Rinsing device

Technical Data - Mechanics

Unit size	S		M	L			XL	
Total capacity V (l)	3,9		5,9	17,8			27,5	
Recom. operating capacity V _a (l)	2,9		4,3	14,2			22,0	
Unit ext. dimensions W / D / H (mm)	305 / 155 / 220		365 / 170 / 270	395 / 315 / 325			565 / 315 / 325	
Opening dimensions W ₂ / D ₂ (mm)	235 / 135		300 / 150	325 / 295			500 / 295	
Tank int. dimensions W ₁ / D ₁ / H ₁ (mm)	215 / 115 / 145		280 / 130 / 145	300 / 270 / 195			475 / 270 / 195	
Weight (kg)	2,0		2,8	4,7			6,1	
Connection thread drain (Zoll)	--			3/8				
Drain hose - ID (mm)	--			12				
Basket int. dimensions W ₃ / D ₃ / H ₃ (mm)	195 / 105 / 50	195 / 105 / 95	255 / 105 / 95	250 / 195 / 90	250 / 195 / 135	280 / 255 / 135	450 / 255 / 55	450 / 255 / 135
Total basket loading (kg)	1,0	3,0	5,0	6,0	7,0	8,0	7,0	10,0

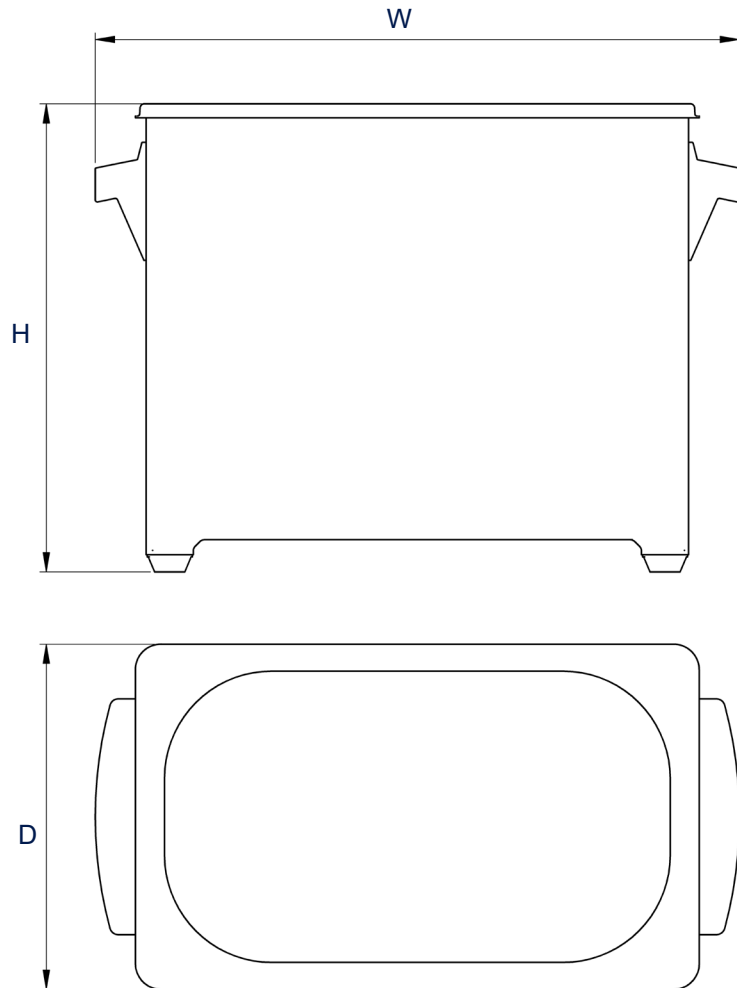
Technical specifications serve as orientation values and are subject to tolerances due to production and manufacturing. Proper operation can only be guaranteed when using original Elma accessories.

Elmasonic Accessory - Elma Sink

Rinsing device

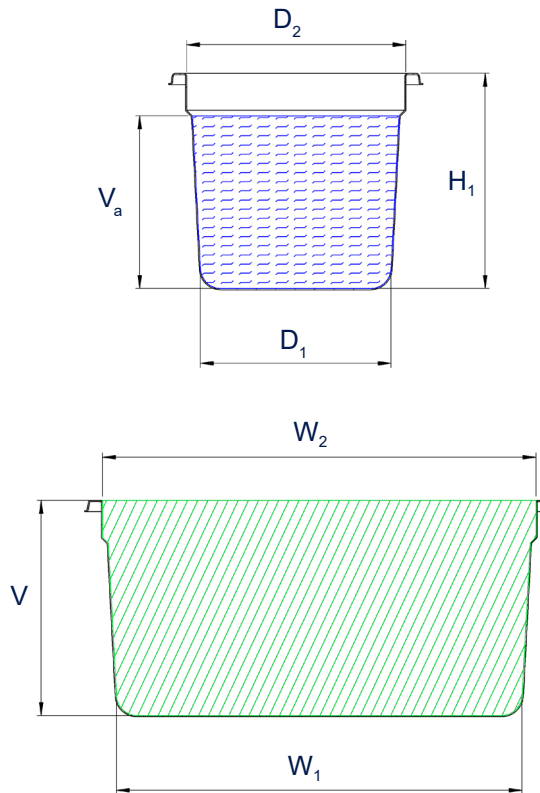
Dimension definition

Unit ext. dimensions

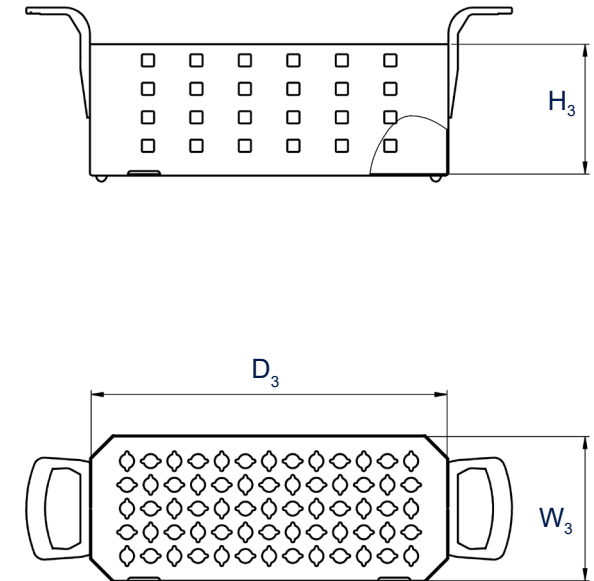


Tank int. dimensions

V_a : recommended operating capacity of the cleaning tank
(The actual operating capacity depends on the load.)



Basket int. dimensions



The drawings are meant as a visualization aid and are not true to scale.

Technical specifications serve as orientation values and are subject to tolerances due to production and manufacturing. Proper operation can only be guaranteed when using original Elma accessories.

Elmasonic Accessory - Elma Dry

Drying units

- from Elma Dry 120 suitable for the use of different basket sizes
- simple and quick operation via a toggle switch with three positions: Off, warm air, cold air
- drying temperature max. 70 °C
- cooling temperature to room temperature
- cover to save energy and to create an effective flow turbulence around the material to be dried
- automatic safety shutdown if temperature is too high
- dust filter (replaceable) prevents dust from the room air from re-contaminating the material to be dried (filter fineness 33ppi)
- stainless steel housing, drip-proof
- very gentle air flow for sensitive parts
- Product contents:
 - 1x Elma Dry 30, 120 or 300, 1x Cover,
 - 1x Power cable with rubber connector (2 m length), 1x Operating manual



Unit size	30	120	300
Order number 220 - 240 V~	1082175	1078542	1078575
Order number 115 - 120 V~	1082662	1082664	1082666
List price	390,00 €	550,00 €	990,00 €

All prices ex works, excluding packaging.

Technical specifications serve as orientation values and are subject to tolerances due to production and manufacturing. Proper operation can only be guaranteed when using original Elma accessories.

Elmasonic Accessory - Elma Dry

Drying units

Technical Data - Mechanics

Elma Dry	30	120	300
Unit ext. dimensions W / D / H (mm)	300 / 186 / 219	362 / 285 / 322	568 / 347 / 322
Tank int. dimensions W ₁ / D ₁ / H ₁ (mm)	220 / 120 / 95	275 / 215 / 195	475 / 270 / 195
Opening dimensions W ₂ / D ₂ (mm)	235 / 135	295 / 235	500 / 395
Mesh size Y x Z (mm)	2 x 0,63		
Weight incl. cover (kg)	3,6	6,1	10,2
Load max. (kg)	1	7	12
Suitable basket sizes			
Elmasonic S, P, Med, Select, Easy	1 x 30/40	2 x 30/40 1 x 100/120	3 x 60 1 x 60 + 1 x 100/120 2 x 100/120 1 x 150/300
Elmasonic xtra TT	--	2 x 30 1 x 60	1 x 30 1 x 60 1 x 120 1 x 200
xtra 30, 50, 70, 150	--	1 x 30 1 x 50	3 x 30 1 x 70 1 x 150

Technical specifications serve as orientation values and are subject to tolerances due to production and manufacturing. Proper operation can only be guaranteed when using original Elma accessories.

Elmasonic Accessory - Elma Dry

Drying units

Technical Data - Electronics

Elma Dry	30	120	300
Mains voltage (V~)	220 - 240 / 115 - 120		
Mains frequency (Hz)	50 / 60		
Heating power (W)	480	550	1100
Power (W)	500	570	1140
Temperature max. (°C)	70		
Heating time (min)	~ 15		
Air output max. (m³/h)	160		320

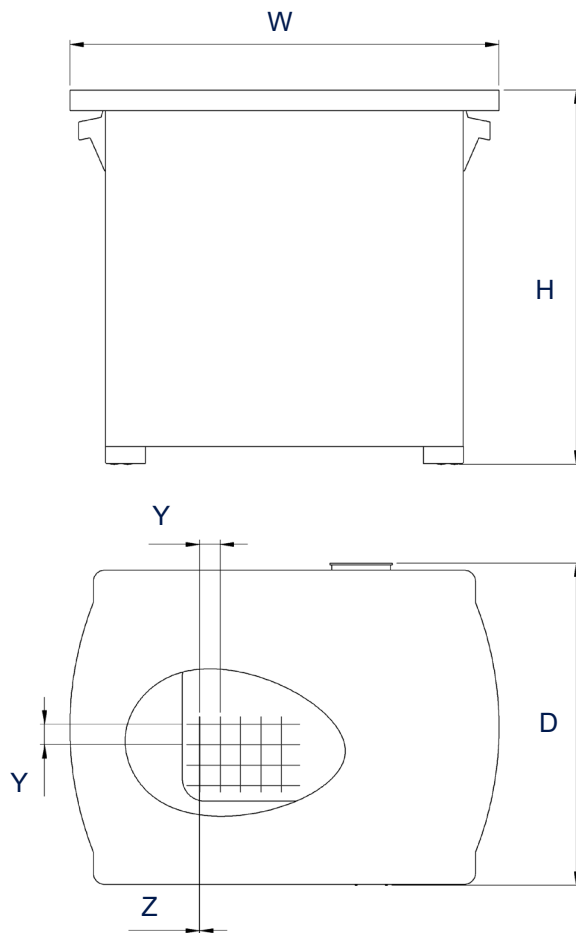
Technical specifications serve as orientation values and are subject to tolerances due to production and manufacturing. Proper operation can only be guaranteed when using original Elma accessories.

Elmasonic Accessory - Elma Dry

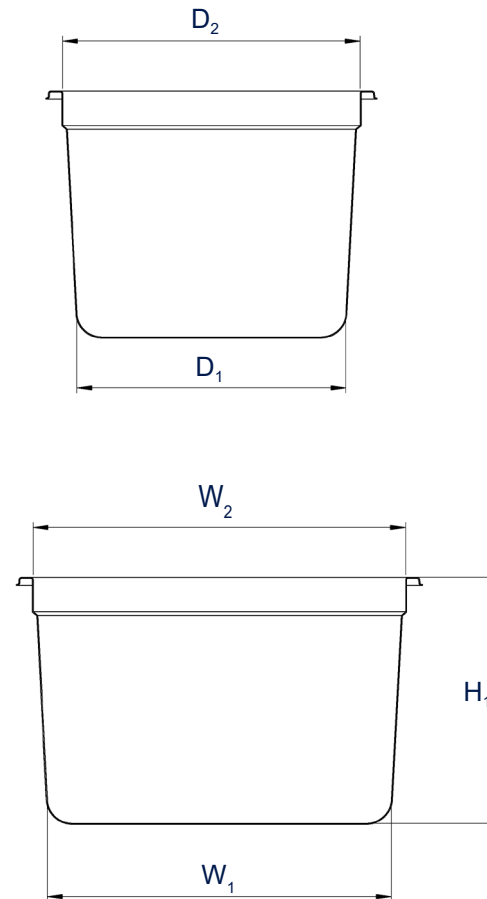
Drying units

Dimension definition

Unit outer dimensions



Tank internal dimensions



The drawings are meant as a visualization aid and are not true to scale.

Technical specifications serve as orientation values and are subject to tolerances due to production and manufacturing. Proper operation can only be guaranteed when using original Elma accessories.